

# DEEP FRYERS

207208, 207307, 209202, 209301



You should read this user manual carefully before using the appliance.

Bevor Sie das Gerät in Betrieb nehmen, sollten Sie diese Gebrauchsanweisung aufmerksam lesen.

Alvorens de apparatuur in gebruik te nemen dient u deze gebruiksaanwijzing aandachtig te lezen.

Przed uruchomieniem urządzenia należy koniecznie dokładnie przeczytać niniejszą instrukcję obsługi.

Lisez attentivement ce mode d'emploi avant d'utiliser l'appareil .

Prima di utilizzare l'apparecchio in funzione leggere attentamente le istruzioni per l'uso.

Citiți cu atenție prezentul manual de utilizare înainte de folosirea aparatului.

Внимательно прочитайте руководство пользователя перед использованием прибора.

Πρέπει να διαβάσετε αυτές τις οδηγίες χρήσης προσεκτικά πριν χρησιμοποιήσετε τη συσκευή.



Keep these instructions with the appliance.  
Diese Gebrauchsanweisung bitte beim Gerät aufbewahren.  
Bewaar deze handleiding bij het apparaat.  
Zachowaj instrukcję urządzenia.  
Conservate le istruzioni insieme all'apparecchio.  
Păstrați manualul de utilizare alături de aparat.  
Tento návod si odložte so spotřebičom.  
Хранить руководство вместе с устройством.  
Φυλάξτε αυτές τις οδηγίες μαζί με τη συσκευή.




For indoor use only.  
Nur zur Verwendung im Innenbereich.  
Alleen voor gebruik binnenshuis.  
Do użytku wewnątrz pomieszczeń.  
Destinato solo all'uso domestico.  
Numai pentru uz casnic.  
Len pre vnútorné použitie.  
Использовать только в помещениях.  
Για χρήση μόνο σε εσωτερικό χώρο.



Dear Customer,

Thank you for purchasing this HENDI appliance. Before using the appliance for the first time, please read this manual carefully, paying particular attention to the safety regulations outlined below.

## Safety Regulations


- This appliance is intended for commercial use only.
- The appliance must only be used for the purpose for which it was intended and designed. The manufacturer is not liable for any damage caused by incorrect operation and improper use.
- Keep the appliance and electrical plug away from water and any other liquids. In the event that the appliance should fall into water, immediately remove plug from the socket and do not use until the appliance has been checked by a certified technician. Failure to follow these instructions could cause a risk to lives.
- Never attempt to open the casing of the appliance yourself.
- Do not insert any objects in the casing of the appliance.
- Do not touch the plug with wet or damp hands.
-  **DANGER OF ELECTRIC SHOCK!** Do not attempt to repair the appliance yourself. In case of malfunctions, repairs are to be conducted by qualified personnel only.
- **Never use a damaged appliance!** Disconnect the appliance from the electrical outlet and contact the retailer if it is damaged.
- **WARNING!** Do not immerse the electrical parts of the appliance in water or other liquids. Never hold the appliance under running water.
- Regularly check the power plug and cord for any damage. If the power plug or power cord is damaged, it must be replaced by a service agent or similarly qualified persons in order to avoid danger or injury.
- Make sure the cord does not come in contact with sharp or hot objects and keep it away from open fire. To pull the plug out of the socket, always pull on the plug and not on the cord.
- Ensure that the cord (or extension cord) is positioned so that it will not cause a trip hazard.
- Always keep an eye on the appliance when in use.
- **WARNING!** As long as the plug is in the socket the appliance is connected to the power source.
- Turn off the appliance before pulling the plug out of the socket.
- Never carry the appliance by the cord.
- Do not use any extra devices that are not supplied along with the appliance.
- Only connect the appliance to an electrical outlet with the voltage and frequency mentioned on the appliance label.
- Connect the power plug to an easily accessible electrical outlet so that in case of emergency the appliance can be unplugged immediately. To completely switch off the appliance pull the power plug out of the electrical outlet.
- Always turn the appliance off before disconnecting the plug.

EN



- Never use accessories other than those recommended by the manufacturer. Failure to do so could pose a safety risk to the user and could damage the appliance. Only use original parts and accessories.
- This appliance is not intended for use by persons (including children) with reduced physical, sensory or mental capabilities, or lack of experience and knowledge.
- This appliance must not be used by children under any circumstances.
- Keep the appliance and its cord out of reach of children.
- Always disconnect the appliance from the mains if it is left unattended or is not in use, and before assembly, disassembly or cleaning.
- Never leave the appliance unattended during use.
- Regularly change the old oil to reduce releasing of dioxins which are carcinogenic.

## Special safety precautions

-  **CAUTION! HOT SURFACE!** The temperature of the accessible surface is very hot during use. Touch the icons on the control panel only.
- When this appliance is to be positioned in close proximity to a wall, partitions, kitchen furniture, decorative finishes, etc., it is recommended that they are made of non-combustible material; if not, they shall be clad with a suitable non-combustible heat-insulating material, and that the closest attention be paid to fire prevention regulations.
- Do not place the appliance on a heating object (gasoline, electric, charcoal cooker, etc.). Keep the appliance away from any hot surfaces and open flames. Always operate the appliance on a level, stable, clean, heat-resistant and dry surface.
- Do not use the appliance near explosive or flammable materials, credit cards, magnetic discs or radios.
- This appliance is not intended to be operated by means of an external timer or separate remote-control system.
- **WARNING:** Danger of fire exists if oil level below “L” (Min) marking or no oil in the oil container.
- **WARNING:** Do not fry too wet foodstuffs and too much food at each time to avoid excessive foaming and spill out of oil. Maximum batch load is approximately 1kg.
- Allow at least 20 cm spacing around the appliance for ventilation purpose during use.
- Only use suitable oil or fat for frying. Replace the oil or fat at regular intervals. Overcooked or dirty oil or fat can be ignited if it is overheated.”
- Do not use plastic cutlery during operation.
- **DANGER!** Never use old oil, old oil has a reduced flash point and is more prone to surge boiling which increases the risk of fire and dangerous situations.
- **WARNING!** Deep frying moist foods and large quantities at once has a negative influence on the boiling point of the oil.
- **WARNING!** Don't fry too much food at once, maximum load is approximately 2kg.
- Always clean the appliance and other accessories after each use (-->Cleaning and maintenance).

- Do not use water jet, flush directly with water or steam cleaner as the parts will get wet and electric shock might be resulted.
- **CAUTION!** Securely route the power cord if necessary in order to prevent unintentional pulling or contact with the heating surface.
- Do not wash the appliance with water. Washing can cause leakages and increase the risk of electric shock.
- Do not clean or store the appliance unless it is completely cooled down.
- No part is dishwasher safe.
- Always remove the plug from the socket when filling or cleaning the deep fryer.
- The electrical installation must satisfy the applicable national and local regulations.
- The Fryer tank and element should be placed in a safe position in your kitchen before usage due to the hot contents when in use.

---

### Intended use

- This appliance is intended for professional use and can be operated only by qualified personnel.
- The appliance is designed only for frying appropriate food only such as French fries, etc. Any other use may lead to damage of the appliance or personal injury.
- Operating the appliance for any other purpose shall be deemed a misuse of the device. The user shall be solely liable for improper use of the device.

---

### Grounding installation

This appliance is classified as **protection class I** and must be connected to a protective ground. Grounding reduces the risk of electric shock by providing an escape wire for the electric current.

This appliance is fitted with a power cord that has a grounding wire and grounded plug. The plug must be plugged into an outlet that is properly installed and grounded.

EN

---

### Preparations before using for the first time

- Check to make sure the appliance is undamaged. In case of any damage, contact your supplier immediately and do NOT use the appliance.
- Remove all the packing material and protection film (if applicable).
- Clean the appliance with luke-warm water and a soft cloth.
- Place the appliance on a level and steady surface, unless mentioned otherwise.
- Make sure there is enough clearance around the appliance for ventilation purposes.
- Position the appliance in such a way that the plug is accessible at all times.
- Keep the packaging for storing your appliance when not in use for an extended period of time.

---

### Installation

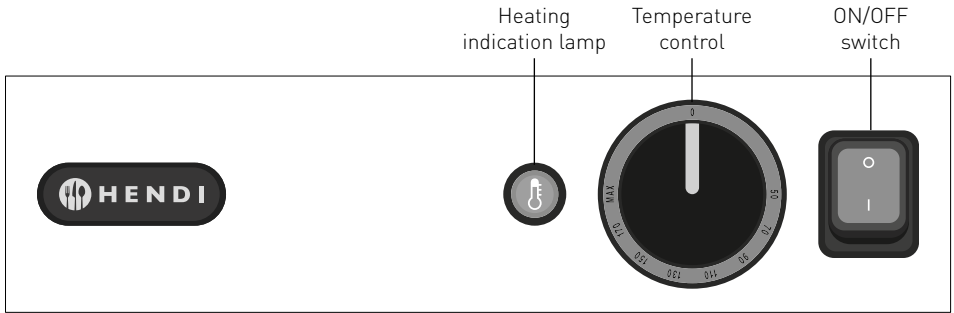
- Place the appliance on a level, stable, clean, heat-resistant and dry surface with its rubber feet.
- Carefully install the back support with heating element on the rear edge of the oil container.

Note:

1. Make sure that the pin on the back support is in the correct position & properly mounted.
2. The appliance should be placed in a safe position in your kitchen before use due to hot hazard when in use.



## Control Panel



## Operation

**Attention : Plug the appliance on a separate group of 16 ampere**

**For a double deep fryer, you need 2 separate groups.**

- Remove the plug from the socket.
- Fill the container with oil or hydrogenated oil until the MAX line.  
Note! Solid fats must be preheated before filling, this avoids burnt fat and overloading (See "Solid Fat").
- Plug the earthed plug into an earthed socket.
- Turn on the appliance by using the green on/off button on the operating panel. The green lamp in the switch will light.
- Set the thermostat to the desired temperature. The orange lamp will light.
- When the set temperature is reached, the orange lamp goes out.
- During deep frying the temperature lamp will light off and on to indicate that the heating element will maintain its indicated temperature.
- You can now use the deep fryer.

EN

## Deep-frying

The deep fryer is designed with a unique cold zone to allow crumbs and residue to sink to the bottom this also enables the usable life of the fat/oil to extend considerably.

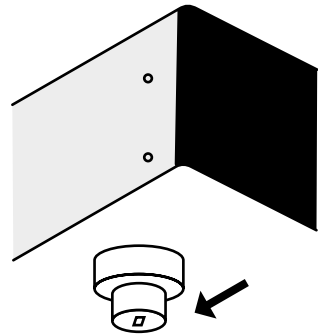
Regularly check if there is sufficient oil or fat in the container. The level should never be below the MIN line.

## RESET the Hi-limiter (thermal cut-out)

Please note that the RESET button is located at the bottom of the detachable control panel with a protective cap (See line drawing)

- Unplug the deep fryer from the electrical outlet first.
- Allow the deep fryer to completely cool down.
- Remove the detachable control panel from the support.
- Unscrew the black protective cap of the RESET button.
- Press the RESET button of the Hi-limiter (thermal cut-out). You should hear a click sound.
- Screw back the protective cap on the RESET button.

- Reinstall the detachable control panel on the support.



---

### Deep frying tips

- Preferably use only liquid frying oil or liquid frying fat.
- The recommended temperature for frying chips and snacks is 175°C max.
- Remove ice and crumbs from frozen foods.
- Do not deep-fry too much at one time. This can cause the oil or fat to cool down too much. Cooled down oil/fat does not properly sear the surface of the food, so that more fat will be absorbed. When used intensively, crumbs and other debris should be filtered out of the oil/fat.
- Replace oil or fat in time. Use test strips or test equipment regularly to track when oil/fat should be replaced.
- Before oil starts to foam, smoke or gets too viscous you should replace it. Also replace the oil/fat when it has a strong smell or taste.
- Do not mix fresh oil with used oil.

---

### Solid Fat

- If you use against our advice solid fat anyway: heat the oil slowly in the lowest position until melted. When the fat has melted you can set the proper frying temperature.
- When using solid fat, allow the blocks of fat to melt slowly on a moderate heat in a normal frying pan. Carefully pour the melted fat into the deep fat fryer. Plug in the mains plug and switch on the deep fat fryer.
- Remove the deep frying basket after use from the fat. This prevents the basket becoming stuck in the solidified fat.

---

### After use

- Turn off the appliance by switching off the switch and removing the plug from the socket.
- Do not move the deep fryer until it and its contents have cooled down.
- Put the lid on the deep fryer, so that the fat does not age.

---

### Cleaning and maintenance

- Always remove the plug from the socket before cleaning the appliance.
- Beware: Never immerse the appliance in water or any other liquid!
- Clean the outside of the appliance with a damp cloth (water with mild detergent).
- Never use aggressive cleaning agents, abrasives or chlorinated cleaners. Do not use any sharp or pointed objects. Do not use petrol or solvents! Clean with a damp cloth and detergent if necessary. Do not use abrasive materials.



## Troubleshooting

Fault	Symptoms	Possible cause	Possible solution
Appliance does not work at all	Green switch indicator not lit & orange heating indicator not lit	Control panel not seated properly on bracket	Properly seat the control panel on the bracket
		No mains power	Check the electrical installation
		Appliance is switched off	Switch on the appliance
		Microswitch defective	Contact your supplier
Appliance does not heat up	Green switch indicator is lit & orange heating indicator not lit	Thermostat set to a low temperature	Set the thermostat to a higher temperature
		Hi-limiter (thermal cut-out) tripped.	Reset the Hi-limiter (thermal cut-out) [See RESET on page 5]
		Hi-limiter (thermal cut-out) defective.	Contact your supplier
		Thermostat defective	Contact your supplier
Appliance does not reach the set temperature	Green switch indicator is lit & orange heating indicator is lit, but excessive frying time or temperature	Thermostat defective	Contact your supplier

If after these controls, the malfunctioning continues, it is advisable to contact your supplier for assistance. In case of any doubt, always contact your supplier!

## Technical specification

Item no.	207208	209202	207307	209301
Operating voltage and frequency	220-240V- 50/60Hz			
Rated power	3500 W		2x3500 W	
Protection class	Class I			
Waterproof protection class	IPX3			
Temperature range	50 - 190°C			
Ambient temperature	5 - 45°C			
Capacity	8 L		16 L	
Dimensions (W x D x H)	305x460x (H)350mm	305x515x (H)350mm	605x460x (H)350mm	605x515x (H)350mm
Net weight (approx.)	8.1 kg	8.6 kg	20.5 kg	21.5 kg

**Remarks: Technical specification is subjected to change without prior notification.**

## Warranty

Any defect affecting the functionality of the appliance which becomes apparent within one year after purchase will be repaired by free repair or replacement provided the appliance has been used and maintained in accordance with the instructions and has not been abused or misused in any way. Your statutory rights are not affected. If the appliance is claimed under warranty, state where and

when it was purchased and include proof of purchase (e.g. receipt).

In line with our policy of continuous product development we reserve the right to change the product, packaging and documentation specifications without notice.





---

## Discarding & Environment

When decommissioning the appliance, the product must not be disposed of with other household waste. Instead, it is your responsibility to dispose of your waste equipment by handing it over to a designated collection point. Failure to follow this rule may be penalized in accordance with applicable regulations on waste disposal. The separate collection and recycling of your waste equipment at the time of disposal will help conserve natural re-

sources and ensure that it is recycled in a manner that protects human health and the environment.

For more information about where you can drop off your waste for recycling, please contact your local waste collection company. The manufacturers and importers do not take responsibility for recycling, treatment and ecological disposal, either directly or through a public system.



Sehr geehrte Kundin, sehr geehrter Kunde,

wir danken Ihnen für den Kauf des Gerätes Hendi. Machen Sie sich bitte mit dieser Anleitung noch vor der Inbetriebnahme des Gerätes vertraut, um Schäden durch die unsachgemäße Bedienung zu vermeiden. Den Sicherheitsregeln ist besondere Aufmerksamkeit zu widmen.

## Sicherheitsregeln

- Die unsachgemäße Bedienung des Geräts kann zur schweren Beschädigung des Geräts sowie zu Verletzungen führen.
- Dieses Gerät ist nur für den gewerblichen Gebrauch bestim.
- Das Gerät ist ausschließlich zu dem Zweck zu benutzen, zu dem es hergestellt wurde. Der Hersteller haftet nicht für Schäden, die auf unsachgemäße Bedienung des Geräts zurückzuführen sind.
- Den Kontakt des Gerätes und des Steckers mit Wasser oder einer anderen Flüssigkeit vermeiden. Den Stecker unverzüglich aus dem Stecker ziehen und das Gerät von einem anerkannten Fachmann prüfen lassen, wenn das Gerät unbeabsichtigterweise ins Wasser fällt. Bei Nichteinhaltung dieser Sicherheitsvorschriften besteht Lebensgefahr.
- Nie eigenständig das Gehäuse des Gerätes zu öffnen versuchen.
- In das Gehäuse des Gerätes keine Gegenstände einführen.
- Den Stecker nicht mit nassen oder feuchten Händen berühren.
- ⚡ **GEFAHR EINES STROMSCHLAGS!** Das Gerät darf nicht selbstständig repariert werden. Sämtliche Mängel und Unzulänglichkeiten sind ausschließlich durch qualifiziertes Personal zu beseitigen.
- **Niemals ein beschädigtes Gerät benutzen!** Das beschädigte Gerät vom Netz trennen und sich mit dem Verkäufer in Verbindung setzen.
- **WARNUNG:** Die Elektroteile des Gerätes dürfen weder in Wasser noch in andere Flüssigkeiten getaucht werden. Ebenso ist das Gerät nicht unter fließendes Wasser zu halten.
- Der Stecker und die Stromversorgungsleitung sind regelmäßig auf Beschädigungen zu prüfen. Der beschädigte Stecker oder Leitung sind an eine Servicestelle oder einer anderen qualifizierten Person zur Reparatur zu übergeben, um eventuellen Gefahren und Verletzungen des Körpers vorzubeugen.
- Man muss sich davon überzeugen, ob die Stromversorgungsleitung weder mit scharfkantigen noch mit heißen Gegenständen in Berührung kommt; halten Sie die Leitung weit entfernt von einer offenen Flamme. Um den Stecker aus der Netzsteckdose zu nehmen, muss man immer am Stecker und nicht an der Leitung ziehen.
- Die Stromversorgungsleitung (oder Verlängerungsleitung) ist vor dem zufälligen Herausziehen aus der Steckdose zu schützen. Die Stromversorgungsleitung muss so geführt werden, dass niemand zufällig darüber stolpern kann.
- Das Gerät muss während seiner Anwendung ständig kontrolliert werden.
- **WARNUNG!** Wenn der Stecker in der Netzsteckdose ist, muss man das Gerät als an die Stromversorgung angeschlossen betrachten.
- Bevor der Stecker aus der Netzsteckdose genommen wird, ist das Gerät auszuschalten.


DE



- Das Gerät darf beim Tragen nicht an der Leitung gehalten werden.
- Benutzen Sie kein Zubehör, das nicht mit diesem Gerät mitgeliefert wurde.
- Das Gerät muss man ausschließlich an die Steckdose mit solch einer Spannung und Frequenz anschließen, wie auf dem Typenschild angegeben wird.
- Stecken Sie den Stecker in die Steckdose, die an einem leicht und bequem zugänglichen Ort angeordnet ist, und zwar so, dass das Gerät bei einer Störung sofort abgeschaltet werden kann. Um das Gerät vollständig auszuschalten, muss man es von der Stromquelle trennen. Zu diesem Zweck muss man den Stecker, der sich am Ende der vom Gerät getrennten Leitung befindet, aus der Netzsteckdose ziehen.
- Vor dem Abtrennen des Steckers ist das Gerät auszuschalten!
- Benutzen Sie kein Zubehör, das nicht vom Hersteller empfohlen wird. Die Anwendung vom nicht empfohlenen Zubehör stellt eine Gefahr für den Nutzer dar und kann zur Beschädigung des Gerätes führen. Benutzen Sie ausschließlich Ersatzteile und Zubehör im Original.
- Dieses Gerät eignet sich nicht für den Gebrauch durch Personen (gilt auch für Kinder) mit geringerer Motorik, Sensorik oder geistiger Fähigkeit oder mangelhafter Erfahrung und Wissen.
- Auf keinen Fall darf das Bedienen des Gerätes durch Kinder zugelassen werden.
- Das Gerät mit Stromversorgungsleitung ist außerhalb der Reichweite von Kindern zu lagern.
- Ebenso muss dafür gesorgt werden, dass die Kinder das Gerät nicht zum Spielen benutzen.
- Das Gerät ist immer dann von der Stromversorgung zu trennen, wenn es ohne Aufsicht bleiben soll bzw. auch vor der Montage, Demontage und Reinigung.
- Während der Nutzung darf das Gerät nicht ohne Aufsicht gelassen werden.
- Wechseln Sie regelmäßig das alte Öl, um die Freisetzung von krebserregenden Dioxinen zu verhindern.

---

## Spezielle Sicherheitsvorschriften

-  **ACHTUNG! HEISSE FLÄCHE!** Während des Betriebs ist die Temperatur der zugänglichen Oberfläche des Geräts sehr hoch. Berühren Sie ausschließlich die Tasten des Steuerpanels.
- Wenn das Gerät in unmittelbarer Nähe zu einer Wand, Trennwänden, Küchenmöbeln, dekorativen Oberflächen usw. gestellt werden soll, empfiehlt es sich ihre Bedeckung mit feuerbeständigen Materialien; wenn dieses aber nicht möglich ist, sind diese Oberflächen mit einem geeigneten nicht brennbaren, wärmedämmenden Material bekleidet, wobei die Brandschutzvorschriften zu beachten sind.
- Stellen Sie das Gerät nicht auf einen wärmemittehenden Gegenstand (Gasherd, Elektroherd, Grill, usw.). Lagern Sie es weit entfernt von heißen Flächen oder offenem Feuer. Stellen Sie das Gerät auf eine ebene, stabile, saubere und trockene Fläche auf, die auch gegen die Einwirkung hoher Temperaturen beständig ist.



- Das Gerät darf auch in der Nähe von explosiven oder leichtbrennbaren Materialien, Geldkarten, Magnetplatten oder Rundfunkempfängern nicht verwendet werden.
- Das Gerät ist für die Bedienung durch einen externen Timer oder ein gesondertes Fernsteuersystem nicht geeignet.
- **WARNUNG:** Wenn der Ölstand im Behälter unter die L-Markierung (Minimalwert) greift oder wenn der Behälter leer ist, besteht eine Brandgefahr.
- **WARNUNG:** Backen Sie im Gerät keine Lebensmittel aus, die viel Wasser enthalten, um so das Schäumen und Überschwappen des Öls zu verhindern. In die Ausbackkammer kann man maximal 1 kg der Lebensmittel einlegen.
- Belassen Sie einen Freiraum von mindestens 20 cm rundum das Gerät, um eine richtige Belüftung zu gewährleisten.
- Verwenden Sie ausschließlich das Bratöl. Tauschen Sie regelmäßig Öl oder Fett im Behälter aus. Altes oder verschmutztes Öl kann sich nach seinem Aufwärmen auf eine zu sehr hohe Temperatur brennen.
- Verwenden Sie kein Besteck aus Kunststoff während des Betriebs des Geräts.
- **GEFAHR!** Verwenden Sie niemals Altöl, da es einen niedrigeren Flammpunkt hat und für das plötzliche Sieden anfälliger ist, was das Risiko von Feuer oder gefährlichen Situationen erhöht.
- **WARNUNG!** Das Einlegen von Lebensmitteln mit einem zu großen Wassergehalt oder in einer zu großen Menge beeinflusst das Erreichen des Siedepunktes durch das Öl.
- **WARNUNG!** Aus Sicherheitsgründen darf man bei jedem Braten nicht zu große Menge von Lebensmitteln (maximal ca. 2 kg) einlegen.
- Reinigen Sie das Gerät und sein Zubehör nach jedem Gebrauch (--> Reinigung und Wartung).
- Reinigen Sie das Gerät nicht mit einem Wasserstrahl unter Druck oder einem Dampfreiniger, spülen Sie das Gerät nicht mit Wasser ab, da die Teile im Gerät feucht werden oder eingetaucht werden können, was den Stromschlag verursacht.
- **ACHTUNG!** Führen und sichern Sie entsprechend das Stromkabel, um ein unbeabsichtigtes Ziehen oder Berühren der erhitzten Oberfläche zu vermeiden.
- Reinigen Sie das Gerät nicht mit Wasser. Beim Waschen des Geräts kann Wasser in den elektrischen Teil gelangen und so zu einem Stromschlag führen.
- Reinigen und stellen Sie das Gerät nicht am Lagerort ab, bis es nicht völlig abgekühlt ist.
- Die Teile des Geräts dürfen in der Spülmaschine nicht gereinigt werden.
- Ziehen Sie den Stecker aus der Steckdose, bevor das Gerät gereinigt oder gefüllt wird.
- Die Elektroanlage muss entsprechende nationale und örtliche Anforderungen erfüllen.
- Stellen Sie sich sicher, dass sich der Ölbehälter und das Heizelement an einer sicheren Stelle in der Küche wegen einer hohen Temperatur des Geräts während des Betriebs befinden.

## Verwendungszweck des Gerätes

- Dieses Gerät ist für den professionellen Gebrauch bestimmt und darf nur von qualifiziertem Personal bedient werden.
- Das Gerät ist für den gewerblichen Einsatz bestimmt und dient zum das Frittieren geeigneter Lebensmittel, wie z.B. Pommes frites usw. konzipiert. Die Verwendung des Gerätes für andere

Zwecke kann zu seiner Beschädigung sowie zu Körperverletzungen führen.

- Jede andere Verwendung des Gerätes gilt als nicht bestimmungsgemäß. Der Benutzer ist allein verantwortlich für die unsachgemäße Nutzung des Gerätes.

## Erdungsinstallation

Dieses Gerät ist als **Schutzklasse I** eingestuft und muss mit einer Schutzerde verbunden werden. Die Erdung reduziert das Risiko eines elektrischen Schlags, indem ein Flucht kabel für den elektrischen Strom bereitgestellt wird. Dieses Gerät ist

mit einem Netzkabel mit einem Erdungskabel und einem geerdeten Stecker ausgestattet. Der Stecker muss in eine Steckdose gesteckt werden, die ordnungsgemäß installiert und geerdet ist.

## Vorbereitung der Inbetriebnahme

- Das Gerät auf Schäden hin prüfen. Setzen Sie sich im Beschädigungsfall sofort mit Ihrem Lieferanten in Verbindung und benutzen Sie das Gerät NICHT.
- Die gesamte Verpackung und eventuell vorliegende Schutzfolie entfernen.
- Das Gerät mit lauwarmem Wasser und einem weichen Tuch reinigen.

- Das Gerät waagrecht hinstellen sofern nicht anders angegeben ist.
- Um das Gerät herum sollte ausreichender Freiraum vorliegen.
- Das Gerät so aufstellen, dass der Stecker jederzeit abgezogen werden kann.
- Bewahren Sie die Verpackung zwecks der Lagerung des Geräts, wenn es über eine längere Zeit nicht verwendet wird.

DE

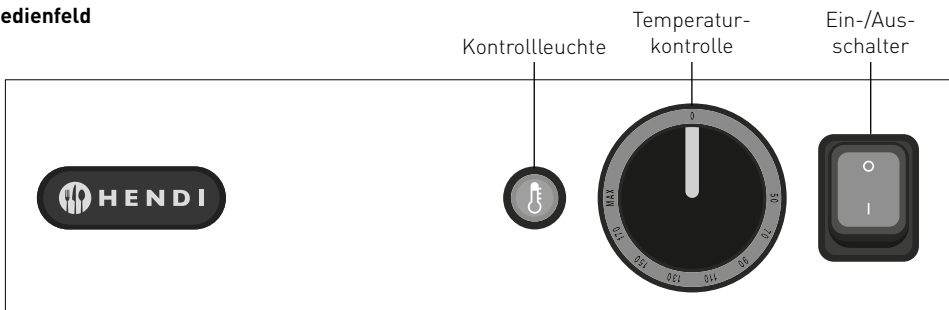
## Montage

- Das Gerät ist mit Gummifüßen ausgestattet. Stellen Sie das Gerät auf eine ebene, stabile, saubere und trockene Fläche auf, die auch gegen die Einwirkung hoher Temperaturen beständig ist.
- Montieren Sie vorsichtig die hintere Stütze des Geräts mit dem Heizelement hinten am Ölbehälter.

Achtung:

1. Stellen Sie sich sicher, dass der Bolzen an der hinteren Stütze des Geräts richtig befestigt wurde.
2. Bevor Sie mit dem Betrieb beginnen, stellen Sie sich sicher, dass sich der Ölbehälter und das Heizelement an einer sicheren Stelle in der Küche wegen einer hohen Temperatur des Geräts während des Betriebs befinden.

## Bedienfeld



## Gebrauch

**Aufmerksamkeit: Darf das Gerät auf einer getrennten Gruppe von 16 Ampere.**

**Bei einer doppelten Friteuse, brauchen Sie 2 getrennte Gruppen.**

- Ziehen Sie den Stecker aus der Steckdose.
- Füllen Sie den Behälter bis zum MAX-Strich mit Öl. ACHTUNG: Nicht flüssige Fettarten sind vor dem Einfüllen zu erhitzen, um ein Verbrennen des Fetts und Überlastung zu verhindern (Siehe „Festes Fett“)
- Stecken Sie den Schukostecker in eine geerdete Steckdose.
- Schalten Sie das Gerät mit der Grünfarbenen Ein-Aus-Taste ein. Die Grünfarbene Leuchte am Ein-Aus-Schalter leuchtet.
- Stellen Sie am Thermostat die gewünschte Temperatur ein. Die orangefarbene Leuchte brennt.
- Wenn die eingestellte Temperatur erreicht ist, erlischt die orangefarbene Lampe.
- Während des Frittierens leuchtet die orangefarbene Lampe gelegentlich; dass heisst das Heizelement hält die eingestellte Temperatur.
- Sie können jetzt frittieren.

## Frittieren

Die Friteuse besitzt einen einzigartigen Kältebereich, wodurch Backreste und Krümel auf den Boden sinken und das Öl wesentlich länger hält.

Kontrollieren Sie regelmäßig, ob sich genug Öl im Behälter befindet. Der Füllstand darf nie unter die MIN-Markierung geraten.

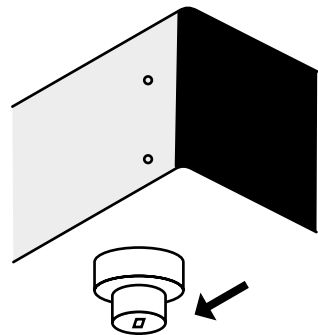
## Zurücksetzen des Überhitzungsschutz (Thermische Abschaltung)

Denken Sie daran, dass sich die Rückstelltaste im unteren Teil des abnehmbaren Bedienpanels und mit einem Aufsatz gesichert wird (siehe Abbildung).

- Trennen Sie zuerst das Gerät von der Stromquelle, indem Sie den Stecker aus der Steckdose ziehen.
- Lassen Sie das Gerät völlig abkühlen.
- Entfernen Sie das abnehmbare Bedienpanel aus der Halterung.
- Schrauben Sie die schwarze Schutzkappe der Rückstelltaste ab.
- Drücken Sie die Rückstelltaste der Überhitzungsschutz (Thermische Abschaltung). Es ist ein Klicken zu hören.
- Schrauben Sie die schwarze Schutzkappe der

Rückstelltaste wieder auf.

- Montieren Sie das abnehmbare Bedienpanel wieder in die Halterung.



## Tipps zum Frittieren

- Verwenden Sie vorzugsweise nur flüssiges Frittieröl/fett.
- Die empfohlene Frittier-Temperatur ist max. 175° C.
- Entfernen Sie Eis und Krümel vom gefrorenen Frittiergut.
- Frittieren Sie nicht zu viel auf einmal, dass kann eine Abkühlung des des Öles verursachen, dadurch kann sich die Frittier Qualität verschlechtern. Bei intensiver Benutzung filtern Sie nach der Verwendung die Krümel und andere Reste aus dem Öl.
- Wechseln Sie das Öl regelmäßig. Benutzen Sie Teststreifen oder Ähnliches zur regelmäßigen Kontrolle.
- Bevor das Öl zu schäumen, rauchen, oder zu stinken beginnt wechseln Sie es.
- Mischen Sie kein frisches Öl mit gebrauchtem.

## Festes Fett

- Wenn Sie gegen unseren Rat doch festes Fritierfett verwenden: erhitzen Sie das Fett langsam auf der kleinsten Stufe bis es geschmolzen ist. Wenn es geschmolzen ist können Sie die richtige Temperatur wählen.
- Bei der Verwendung von frischem Fett schmelzen Sie die Fettblöcke zunächst langsam bei klei-

ner Hitze in einer normalen Pfanne. Gießen Sie das geschmolzene Fett vorsichtig in die Friteuse. Stecken Sie erst dann den Netzstecker ein und schalten Sie die Friteuse ein.

- Entfernen Sie den Korb aus dem Fett. Damit verhindern Sie, dass sich der Korb im geronnenen Fett festsetzt.

## Nach dem Gebrauch

- Schalten Sie das Gerät aus, indem Sie den Schalter ausschalten und den Stecker aus der Steckdose herausziehen.
- Lassen Sie die Friteuse an ihrem Platz stehen,

bis das Gerät und den Inhalt abgekühlt sind.

- Legen Sie den Deckel auf die Fritteuse, sodass das Fett frisch bleibt.

## Reinigung und Wartung

- Vor jeder Reinigung stets den Stecker ziehen.
- Achtung: Tauchen Sie das Gerät nicht in Wasser oder andere Flüssigkeiten ein!
- Das Gehäuse mit einem feuchten Tuch (Wasser mit einem milden Reinigungsmittel) reinigen.
- Keine aggressiven Reinigungsmittel, Scheuer-

mittel oder chlorierter Reiniger benutzen. Keine scharfen, spitzen Gegenstände benutzen. Kein Benzin und keine Lösungsmittel benutzen! Das Gerät mit einem feuchten Tuch und eventuell Spülmittel reinigen. Keine scheuernden Materialien benutzen.

## Entdeckung und Beseitigung von Mängeln

Störung	Anzeichen	Mögliche Ursache	Eventuelle Lösung
Das Gerät funktioniert nicht	Die grüne Kontrolllampe leuchtet nicht, die orange Kontrolllampe leuchtet nicht	Das Bedienelement wurde in der Halterung unrichtig installiert	Installieren Sie richtig das Bedienelement in der Halterung
		Keine Netzspannung	Prüfen Sie die elektrische Anlage
		Das Gerät ist aus	Schalten Sie das Gerät ein
		Der Mikroschalter ist defekt	Kontaktieren Sie Ihren Lieferanten
Das Gerät heizt sich nicht auf	Die grüne Kontrolllampe leuchtet, die orange Kontrolllampe leuchtet nicht	Die Temperatur des Thermostats ist zu niedrig eingestellt	Stellen Sie eine höhere Temperatur ein
		Der Überhitzungsschutz (Thermische Abschaltung) hat ausgelöst.	Starten Sie den Überhitzungsschutz (Thermische Abschaltung) neu (siehe auf Seite 11)
		Der Überhitzungsschutz (Thermische Abschaltung) ist defekt.	Kontaktieren Sie Ihren Lieferanten
		Der Thermostat ist defekt	Kontaktieren Sie Ihren Lieferanten
Das Gerät erreicht nicht die Solltemperatur	Die grüne Kontrolllampe leuchtet, die orange Kontrolllampe leuchtet, aber die Zeit des Bratens ist zu lang oder die Temperatur ist zu hoch.	Der Thermostat ist defekt	Kontaktieren Sie Ihren Lieferanten

Wenn trotz aller Kontrollen das Gerät weiterhin Störungen aufweist wenden Sie sich bitte an ihren Lieferanten. Setzen Sie sich im Zweifelsfall auch mit Ihrem Lieferanten in Verbindung!



## Technische Spezifikation

Bestellnummer	207208	209202	207307	209301
Betriebsspannung (V) & Frequenz (Hz)	220-240V- 50/60Hz			
Höchstaufnahme elektrischer Leistung (W)	3500 W		2x3500 W	
Schutzgrad	Klasse I			
Dichtigkeitsbeiwert	IPX3			
Temperatur Bereich	50 - 190°C			
Umgebungstemperatur	5 - 45°C			
Inhalt	8 L		16 L	
Außenabmessungen (W x D x H)	305x460x (H)350mm	305x515x (H)350mm	605x460x (H)350mm	605x515x (H)350mm
Nettogewicht (ca.)	8,1 kg	8,6 kg	20,5 kg	21,5 kg

**Hinweise: Die Technische Spezifikation kann ohne vorherige Ankündigung verändert werden.**

### Garantie

Alle innerhalb von einem Jahr nach dem Kaufdatum festgestellten Defekte oder Mängel, die die Funktionalität des Gerätes beeinträchtigen, werden auf dem Wege der unentgeltlichen Reparatur bzw. des Austausches unter der Voraussetzung beseitigt, dass das Gerät in einer der Bedienungsanleitung gemäßen Art und Weise betrieben und gewartet wird und weder vorsätzlich vernichtet noch nicht bestimmungsgemäß genutzt wurde. Ihre Rechte aus den entsprechenden Gesetzen

bleiben davon unberührt. Eine in der Garantiefrist einzureichende Beanstandung hat die Angabe des Kaufortes und Kaufdatums und in der Anlage einen Kaufbeleg (z.B. Kassenzettel) zu enthalten.

Gemäß unserer Politik der ständigen Weiterentwicklung unserer Produkte behalten wir uns vor, Änderungen am Produkt, an seiner Verpackung und an den dokumentierten technischen Daten ohne vorherige Ankündigung vorzunehmen.

### Entsorgung und Umweltschutz

Wird das Gerät außer Betrieb genommen, darf es nicht über den Hausmüll entsorgt werden. Der Benutzer ist für die Übergabe des Gerätes an eine geeignete Sammelstelle für Altgeräte verantwortlich. Die Nichteinhaltung dieser Regel kann gemäß den geltenden Vorschriften über die Abfallentsorgung bestraft werden. Die getrennte Sammlung und das Recycling der Altgeräte trägt zur Schonung der natürlichen Ressourcen bei und sorgt für eine umwelt- und gesundheitsschonende Verwertungsweise.

Weitere Informationen darüber, wo Sie Ihre Altgeräte entsorgen können, erhalten Sie bei Ihrem örtlichen Entsorgungsunternehmen. Der Hersteller und der Importeur übernehmen keine Verantwortung für das Recycling sowie die umweltfreundliche Verwertung von Abfällen, weder direkt noch über ein öffentliches System.





Geachte klant,

Hartelijk dank voor de aankoop van dit Hendi apparaat. Leest u deze gebruiksaanwijzing zorgvuldig voordat u het apparaat gebruikt, dit om schade door verkeerd gebruik te voorkomen. Lees vooral de veiligheidsinstructies aandachtig door.

## Veiligheidsinstructies

- Onjuiste bediening en verkeerd gebruik van het apparaat kan ernstige schade aan het apparaat en verwonding van personen tot gevolg hebben.
- Dit apparaat is enkel bedoeld voor commercieel gebruik.
- Het apparaat mag alleen worden gebruikt voor het doel waarvoor het werd ontworpen. De fabrikant aanvaardt geen enkele aansprakelijkheid voor schade als gevolg van onjuiste bediening en verkeerd gebruik.
- Zorg dat het apparaat en de stekker niet met water of een andere vloeistof in aanraking komen. Mocht het apparaat onverhoopt in het water vallen, trek dan onmiddellijk de stekker uit het stopcontact en laat het apparaat controleren door een erkend vakman. Niet-naleving hiervan kan levensgevaar opleveren.
- Probeer nooit zelf de behuizing van het apparaat te openen.
- Steek geen voorwerpen in de behuizing van het apparaat.
- Raak de stekker niet met natte of vochtige handen aan.
- ⚡ **GEVAAR VAN ELEKTRISCHE SCHOKKEN!** Probeer het apparaat niet zelf te repareren. In het geval van storingen, laat reparaties alleen uitvoeren door gekwalificeerd personeel.
- **Gebruik nooit een beschadigd apparaat!** Als het apparaat is beschadigd, haal de stekker dan uit het stopcontact en neem contact op met de winkel.
- **WAARSCHUWING!** Dompel de elektrische onderdelen van het apparaat niet onder in water of andere vloeistoffen. Houd het apparaat nooit onder stromend water.
- Controleer de stekker en het netsnoer regelmatig op schade. Als de stekker of het netsnoer is beschadigd, moet het worden vervangen door de technische dienst of een soortgelijk gekwalificeerd persoon om gevaar of letsel te voorkomen.
- Zorg ervoor dat het netsnoer niet in contact komt met scherpe of hete voorwerpen en houd het uit de buurt van open vuur. Als u de stekker uit het stopcontact wilt halen, trek dan altijd aan de stekker en niet aan het netsnoer.
- Zorg ervoor dat niemand per ongeluk aan het netsnoer (of verlengsnoer) kan trekken of kan struikelen over het netsnoer.
- Houd het apparaat in de gaten tijdens gebruik.
- **WAARSCHUWING!** Zolang de stekker in het stopcontact zit, is het apparaat aangesloten op de voedingsbron.
- Schakel het apparaat uit voordat u de stekker uit het stopcontact trekt.
- Draag het apparaat nooit aan het netsnoer.
- Gebruik geen extra hulpmiddelen die niet worden meegeleverd met het apparaat.
- Sluit het apparaat alleen aan op een stopcontact met de spanning en frequentie die is vermeld op het typeplaatje.

NL



- Sluit de stekker aan op een stopcontact dat eenvoudig bereikt kan worden, zodat de stekker in geval van nood onmiddellijk uit het stopcontact kan worden getrokken. Trek de stekker volledig uit het stopcontact om het apparaat volledig uit te schakelen. Gebruik de stekker om het apparaat los te koppelen van het lichtnet.
- Schakel het apparaat altijd uit voordat u de stekker uit het stopcontact trekt.
- Gebruik nooit accessoires die niet worden aanbevolen door de fabrikant. Zij kunnen mogelijk een veiligheidsrisico vormen voor de gebruiker en kunnen het apparaat mogelijk beschadigen. Gebruik alleen originele onderdelen en accessoires.
- Dit apparaat is niet geschikt voor gebruik door personen (inclusief kinderen) met een verminderd fysiek, sensorisch of geestelijk vermogen, of gebrek aan ervaring en kennis.
- Dit apparaat mag onder geen enkele omstandigheid worden gebruikt door kinderen.
- Houd het apparaat en het netsnoer buiten bereik van kinderen.
- Kinderen mogen niet met het apparaat spelen.
- Koppel het apparaat altijd los van het lichtnet als het onbeheerd wordt achtergelaten en voordat het apparaat wordt gemonteerd, gedemonteerd of gereinigd.
- Laat het apparaat nooit onbeheerd achter tijdens gebruik.
- Vervang de frituurolie regelmatig om het vrijkomen van kankerverwekkende dioxines te verminderen.

## Speciale veiligheidsvoorschriften

-  **LET OP! HEET OPPERVLAK!** De temperatuur van het bereikbare oppervlak is zeer heet tijdens gebruik. Raak alleen de knoppen op het bedieningspaneel aan.
- Als dit apparaat in de buurt van muren, scheidingswanden, keukenmeubilair, decoratieve afwerkingen, etc. wordt geplaatst, wordt aanbevolen dat deze zijn gemaakt van niet-brandbaar materiaal; als dit niet het geval is, moeten ze worden gecoat met een niet-brandbare warmte-isolerend materiaal, en moet er zeer veel aandacht worden besteed aan de brandpreventievoorschriften.
- Plaats het apparaat niet op een verwarmingsvoorwerp (kooktoestel op benzine, elektriciteit, houtskool, etc.). Houd het apparaat uit de buurt van warme oppervlakken en open vuur. Gebruik het apparaat altijd op een vlakke, stabiele, schone, hittebestendige en droge ondergrond.
- Gebruik het apparaat niet in de buurt van explosieve of ontvlambare materialen, creditcards, magnetische schijven of radio's.
- Dit apparaat is niet bedoeld om gebruikt te worden in combinatie met een externe timer of apart systeem voor gebruik op afstand.
- **WAARSCHUWING:** Er bestaat brandgevaar indien de olie onder de L-markering (het minimumniveau) zakt of er geen olie in de bak zit.
- **WAARSCHUWING:** Frituur nooit te natte voedingsmiddelen of te veel voedingsmiddelen per keer om overmatig schuimen en oliespatters te voorkomen. U kunt per keer ca. 1kg in de bak plaatsen.
- Laat minimaal 20 cm ruimte vrij rond het apparaat voor voldoende ventilatie.

- Gebruik alleen olie of vet dat geschikt is voor frituren. Vervang de olie of het vet regelmatig. Te lang gebruikte of vuile olie of vet kan tot worden ontstoken wanneer het wordt oververhit.”
- Gebruik geen plastic keukengerei tijdens gebruik.
- **GEVAAR!** Gebruik nooit oude olie, omdat oude olie een gereduceerd vlampunt heeft en vatbaarder is voor overkoken, wat het risico op brand en gevaarlijke situaties verhoogt.
- **WAARSCHUWING!** Als u te nat voedsel of te grote hoeveelheden voedsel in het apparaat plaatst, heeft dit invloed op het kookpunt van de olie.
- **WAARSCHUWING!** Om veiligheidsredenen wordt aanbevolen niet teveel voedsel tegelijkertijd te frituren (max. hoeveelheid voedsel ca. 2kg).
- Reinig het apparaat en andere accessoires altijd na elk gebruik (-->Reiniging en onderhoud).
- Gebruik geen waterstralen of stoomreiniger en spoel niet rechtstreeks af met water, omdat de onderdelen van het apparaat nat kunnen worden en dit kan leiden tot elektrische schokken.
- **LET OP!** Plaats het netsnoer indien nodig op een veilige manier om te voorkomen dat het in contact kon komen met het verwarmingsoppervlak en dat er per ongeluk aan het netsnoer kan worden getrokken.
- Was het apparaat niet met water. Wassen kan lekkages veroorzaken en het risico op elektrische schokken verhogen.
- Niet reinigen of opbergen tenzij het apparaat volledig is afgekoeld.
- Geen van de onderdelen zijn vaatwasmachinebestendig.
- Trek de stekker altijd uit het stopcontact als u de friteuse vult of reinigt.
- De elektrische installatie dient te voldoen aan de nationale en plaatselijk geldende voorschriften.
- De oliebak en het verwarmingselement moeten vóór gebruik correct worden geplaatst en geïnstalleerd, omdat deze zeer heet worden tijdens gebruik.

### Beoogd gebruik

- Dit apparaat is bedoeld voor professioneel gebruik en kan alleen worden bediend door gekwalificeerd personeel.
- Dit apparaat is uitsluitend bestemd voor het bakken van geschikt voedsel, zoals frites, enz. Elk ander gebruik kan leiden tot schade aan het apparaat of lichamelijk letsel.
- Gebruik van het apparaat voor andere doeleinden wordt beschouwd als verkeerd gebruik van het apparaat. De gebruiker is volledig aansprakelijk voor alle risico's die voortvloeien uit verkeerd gebruik van het apparaat.

### Aarding installatie

Dit apparaat is geclassificeerd als **beschermingsklasse I** en moet op een beschermende grond worden aangesloten. Aarding vermindert het risico op elektrische schokken door een ontsnappingsdraad voor de elektrische stroom aan te bieden. Dit ap-

paraat is uitgerust met een netsnoer met een aardingsdraad en geaarde stekker. De stekker moet worden aangesloten op een stopcontact dat correct is geïnstalleerd en geaard.



## Ingebruikname

- Controleer of het apparaat niet beschadigd is. Neem in geval van beschadiging onmiddellijk contact op met uw leverancier en gebruik het apparaat NIET.
- Verwijder al het verpakkingsmateriaal en de eventueel aanwezige beschermfolie.
- Reinig het apparaat met handwarm water en een zachte doek.
- Plaats het apparaat waterpas op een stabiele ondergrond, tenzij anders aangegeven.
- Zorg ervoor dat er rondom het apparaat genoeg ruimte vrij blijft voor de afvoer van warmte.
- Plaats het apparaat zo dat de stekker te allen tijde bereikbaar is.
- Bewaar de verpakking om uw apparaat op te bergen als het voor een lange periode niet wordt gebruikt.

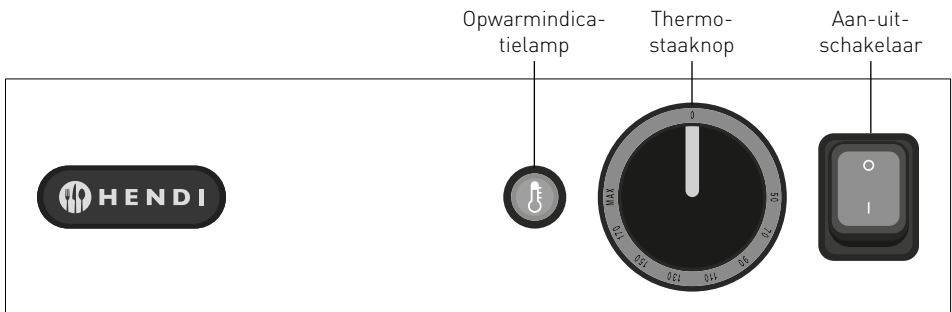
## Installatie

- Plaats het apparaat met de rubberen voetjes op een vlakke, stabiele, schone, hittebestendige en droge ondergrond.
- Installeer de achtersteun met het verwarmingselement op de achterkant van de oliebak.

Opmerking:

1. Zorg ervoor dat de pin op de achtersteun zich in de juiste positie bevindt & juist is gemonteerd.
2. Het apparaat moet voor gebruik op een veilige plek in uw keuken worden geplaatst om gevaar door hoge temperaturen tijdens gebruik te voorkomen.

## Bedieningspaneel



## Gebruik

**Let op :** Sluit het apparaat aan op een aparte groep van 16 Ampère.

**Bij een dubbele friteuse heeft u hiervoor 2 aparte groepen nodig.**

- Verwijder de stekker uit het stopcontact.
- Vul de bak met olie tot de MAX streep. LET OP! Bij vaste vetsoorten het vet voorverwarmen alvorens te vullen, dit voorkomt verbranden van het vet en overbelasting (Zie "Vast Vet").
- Stop de randaarde stekker in een geaard stopcontact.
- Schakel het apparaat in door de groene aan-/uitknop op het bedieningspaneel. De groene lamp op de aan-/uitschakelaar gaat branden.
- Stel met de thermostaat de gewenste temperatuur in. Het oranje lampje gaat branden.
- Als de ingestelde temperatuur is bereikt gaat het oranje lampje uit.
- Tijdens het frituren gaat het temperatuurlampje af en toe aan en uit om aan te geven dat het verwarmingselement wordt in- en uitgeschakeld om te zorgen dat de juiste temperatuur gehandhaafd blijft.
- U kunt nu frituren.

---

## Frituren

De frituse is voorzien van een unieke koude zone waardoor kruimels en bakresten naar de bodem zinken en de olie aanzienlijk langer mee zal gaan.

Controleer regelmatig of er voldoende olie in de bak zit. Het niveau mag nooit onder de MIN indicatie komen!!

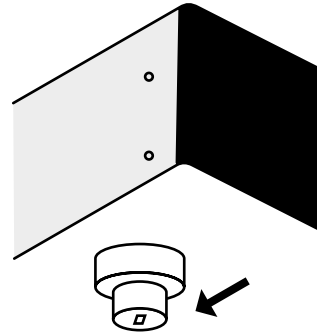
---

### RESET de maximaal thermostaat

Let op, de RESET-knop bevindt zich aan de onderkant van het afneembare bedieningspaneel met een beschermdop (zie lijntekening)

- Trek de stekker van de frituse eerst uit het stopcontact.
- Laat de frituse volledig afkoelen.
- Verwijder het afneembare bedieningspaneel uit de steun.
- Schroef de zwarte beschermdop van de RESET-knop los.
- Druk op de RESET-knop van de maximaal thermostaat. U moet een duidelijke klik horen.
- Schroef de achterkant van de zwarte beschermdop terug op de RESET-knop.

- Installeer het afneembare bedieningspaneel terug op de steun.



---

### Frituurtips

- Gebruik bij voorkeur alleen vloeibaar frituurvet of -olie
- De aanbevolen temperatuur voor frites en snacks is 175°C maximaal.
- Verwijder ijs en kruimels van de diepvriesproducten.
- Frituur niet te veel te gelijk hierdoor koelt de olie te snel af en kunnen de frituurproducten onvoldoende snel dichtschroeien waardoor ze meer

vet op zullen nemen. Bij intensief gebruik dient u steeds de bakresten uit de olie te zeven

- Vervang de olie tijdig. Gebruik regelmatig teststrips of meetapparatuur om bij te houden wanneer de olie vervangen moet worden.
- Voordat de olie gaat schuimen, walmen of stroperig wordt, dient u dit te vervangen. Ook wanneer het een sterke geur of smaak krijgt.
- Meng geen verse olie met gebruikte.

---

### Vast Vet

- Indien u tegen ons advies in toch vast frituurvet gebruikt: warm het vet dan op de laagste stand langzaam op totdat het gesmolten is. Wanneer het vet gesmolten is, dient u pas de juiste frituurtemperatuur in te stellen.
- Bij gebruik van nieuw vet smelt u de vetblokken eerst langzaam op lage temperatuur in een nor-

male pan. Giet het gesmolten vet voorzichtig in de frituurpan. Steek dan pas de stekker in het stopcontact en schakel de frituurpan in.

- Verwijder het mandje na gebruik uit het vet. Dit voorkomt dat het mandje in het gestolde vet vast gaat zitten.

---

### Na gebruik

- Schakel de apparatuur uit door de schakelaar uit te zetten en de stekker uit het stopcontact te verwijderen.

- Laat de frituurpan op zijn plaats staan tot apparaat en inhoud zijn afgekoeld.
- Plaats de deksel op de frituse, zodat de olie niet verouderd.



## Reiniging en onderhoud

- Trek voordat u het apparaat schoonmaakt altijd eerst de stekker uit het stopcontact .
- Let op: Nooit het apparaat in water of een andere vloeistof onderdompelen!
- De buitenkant maakt u schoon met een vochtig doekje (water met mild reinigingsmiddel).
- Gebruik nooit agressieve schoonmaakmiddelen, schuurmiddelen of chloorhoudende reinigingsmiddelen. Geen scherpe en puntige voorwerpen gebruiken. Geen benzine of oplosmiddelen gebruiken! Schoonmaken met een vochtige doek en eventueel afwasmiddel, geen schurende materialen gebruiken.

## Problemen oplossen

Storing	Verschijsel	Mogelijke oorzaak	Mogelijke oplossing
Apparaat doet helemaal niets	Groene schakelaar brandt niet & oranje lamp brandt niet	Bedieningspaneel staat niet goed op de steun	Zet het bedieningspaneel goed op de steun
		Geen netspanning	Controleer de elektrische installatie
		Schakelaar staat uit	Schakelaar aanzetten
		Microswitch defect	Neem contact op met de leverancier
Apparaat blijft koud	Groene schakelaar brandt wel & oranje lamp brandt niet	Thermostaat te laag ingesteld	Stel de thermostaat in op een hogere temperatuur
		Maximaal thermostaat aangesproken	Reset de maximaal thermostaat. (Zie pagina 16)
		Maximaal thermostaat defect	Neem contact op met de leverancier
		Thermostaat defect	Neem contact op met de leverancier
Apparaat bereikt de ingestelde temperatuur niet	Groene schakelaar brandt wel & oranje lamp brandt wel, maar te lange baktijd / te hoge temperatuur	Thermostaat defect	Neem contact op met de leverancier

Als na deze handelingen het apparaat nog steeds niet functioneert, adviseren wij u contact op te nemen met uw leverancier. Neem in geval van twijfel altijd contact op met uw leverancier!

## Technische specificaties

Itemnr.	207208	209202	207307	209301
Bedrijfsspanning (V) & frequentie (Hz)	220-240V- 50/60Hz			
Max ingangsvermogen (W)	3500 W		2x3500 W	
Beschermingsklasse	Klasse I			
Waterbeschermingsklasse	IPX3			
Temperatuurbereik	50 - 190°C			
Ambient temperature	5 - 45°C			
Inhoud	8 L		16 L	
Afmetingen apparaat (W x D x H)	305x460x (H)350mm	305x515x (H)350mm	605x460x (H)350mm	605x515x (H)350mm
Netto gewicht (ca.)	8,1 kg	8,6 kg	20,5 kg	21,5 kg

**Opmerking:** Technische specificaties onderhevig aan verandering zonder kennisgeving.



---

## Garantie

Elk defect waardoor de werking van het apparaat nadelig wordt beïnvloed dat zich binnen één jaar na aankoop van het apparaat voordoet, wordt gratis hersteld door reparatie of vervanging, mits het apparaat conform de instructies is gebruikt en onderhouden en niet op enigerlei wijze verkeerd is behandeld of misbruikt. Dit laat onverlet uw bij wet bepaalde rechten. Als de garantie van kracht is, vermeld dan waar en wanneer u het apparaat

hebt gekocht en sluit een aankoopbewijs bij (bijv. kassabon of factuur).

Gezien ons streven naar voortdurende verdere productontwikkeling behouden wij ons het recht voor, zonder voorafgaande kennisgeving wijzigingen aan te brengen aan product, verpakking en documentatie.

---

## Verwijdering & milieu

Bij de buitengebruikstelling van het apparaat, mag het niet met het overige huisafval worden verwijderd. In plaats daarvan is het uw verantwoordelijkheid om uw afgedankte apparatuur in te leveren bij een daartoe aangewezen inzamelpunt. Het niet opvolgen van deze regel kan worden bestraft in overeenstemming met de geldende voorschriften voor afvalverwerking. De gescheiden inzameling en recycling van uw afgedankte apparatuur ten tijde van buitengebruikstelling helpt bij de instandhouding van natuurlijke hulpbronnen en waarborgt dat de


apparatuur wordt gerecycled op een manier die de volksgezondheid en het milieu beschermt.

Voor meer informatie over waar u uw afval kunt inleveren voor recycling kunt u contact opnemen met uw lokale afvalverwerkingsbedrijf. De fabrikant en importeurs nemen geen verantwoordelijkheid voor de recycling, behandeling en ecologische verwijdering, hetzij rechtstreeks of via een openbaar systeem.



Dziękujemy za zakup urządzenia firmy Hendi. Prosimy o uważne zapoznanie się z niniejszą instrukcją przed podłączeniem urządzenia, aby uniknąć uszkodzeń spowodowanych niewłaściwą obsługą. Należy zwrócić szczególną uwagę na zasady bezpieczeństwa.


## WAŻNE ZASADY BEZPIECZEŃSTWA

- Nieprawidłowa obsługa i niewłaściwe użycie mogą spowodować poważne uszkodzenie urządzenia lub zranienie osób.
- Niniejsze urządzenie przeznaczone jest wyłącznie do użytku komercyjnego.
- Urządzenie stosuj wyłącznie zgodnie z przeznaczeniem. Producent i/lub Sprzedawca nie ponosi żadnej odpowiedzialności za szkody spowodowane nieprawidłową obsługą i niewłaściwym użytkowaniem urządzenia.
- W czasie użycia zabezpiecz urządzenie i wtyczkę kabla zasilającego przed kontaktem z wodą lub innymi płynami. W mało prawdopodobnym przypadku zanurzenia urządzenia w wodzie, natychmiast wyciągnij wtyczkę z kontaktu, a następnie zleć kontrolę urządzenia specjalście. Nieprzestrzeganie tej instrukcji może spowodować zagrożenie życia.
- Nigdy nie otwieraj samodzielnie obudowy urządzenia.
- Nie wtykaj żadnych przedmiotów w obudowę urządzenia.
- Nie dotykaj wtyczki kabla zasilającego wilgotnymi rękami.
-  **RYZYKO PORAŻENIA PRĄDEM!** Regularnie kontroluj stan wtyczki i kabla. W przypadku wykrycia uszkodzenia wtyczki lub kabla, zleć naprawę w wyspecjalizowanym punkcie naprawczym.
- **Nigdy nie używaj uszkodzonego urządzenia!** W przypadku, gdy urządzenie spadnie lub ulegnie uszkodzeniu w inny sposób, przed dalszym użyciem zawsze zleć przeprowadzenie kontroli i ewentualną naprawę w wyspecjalizowanym punkcie naprawczym.
- **OSTRZEŻENIE!** Nie zanurzaj elektrycznych części urządzenia w wodzie lub w innych płynach. Nigdy nie trzymaj urządzenia pod bieżącą wodą.
- Nigdy nie naprawiaj urządzenia samodzielnie może to spowodować zagrożenie życia.
- Chroń kabel zasilający przed kontaktem z ostrymi lub gorącymi przedmiotami i chroń go przed otwartym ogniem. Jeżeli chcesz odłączyć urządzenie z kontaktu, zawsze chwytaj za wtyczkę, nigdy nie ciągnij za kabel.
- Zabezpiecz kabel (lub przedłużacz), aby nikt przez omyłkę nie wyciągnął go z kontaktu ani się o niego nie potknął.
- Urządzenie powinno być używane tylko do celów, dla których zostały pierwotnie zaprojektowane.
- Kontroluj funkcjonowanie urządzenia w czasie użytkowania.
- Dzieci nie uświadamiają sobie zagrożeń, jakie może spowodować użycie urządzeń elektrycznych. Nigdy nie pozwalaj dzieciom posługiwać się elektrycznymi urządzeniami gospodarstwa domowego bez nadzoru.
- Gdy urządzenie nie jest używane oraz zawsze przed czyszczeniem, odłącz je od źródła zasilania, wyciągając wtyczkę z kontaktu.



- **UWAGA!** Jeżeli wtyczka kabla zasilającego jest podłączona do kontaktu, urządzenie cały czas pozostaje pod napięciem.
- Wyłącz urządzenie, zanim wyciągniesz wtyczkę z kontaktu.
- Nigdy nie przenoś urządzenia za kabel zasilający.
- Nie używaj akcesoriów innych niż dostarczone z urządzeniem.
- Urządzenie można podłączać wyłącznie do gniazda o napięciu i częstotliwości zgodnej z danymi znajdującymi się na tabliczce znamionowej.
- Unikaj przeciążenia.
- Po użyciu wyłącz urządzenie wyjmując wtyczkę z gniazda.
- Instalacja elektryczna musi odpowiadać krajowym i lokalnym przepisom.
- Z urządzenia nie mogą korzystać osoby (także dzieci), u których stwierdzono osłabione zdolności fizyczne, sensoryczne lub umysłowe, albo którym brakuje odpowiedniej wiedzy i doświadczenia, chyba że odbywa się to pod nadzorem lub zgodnie z instrukcjami osoby odpowiedzialnej za ich bezpieczeństwo.
- Regularnie wymieniaj stary olej, aby zmniejszyć wydzielanie dioksyn, które są rakotwórcze.

## Szczególne przepisy bezpieczeństwa

-  **UWAGA! GORĄCA POWIERZCHNIA!** Temperatura dostępnych powierzchni urządzenia w czasie użytkowania jest bardzo wysoka. Dotykaj wyłącznie przycisków panelu sterowania.
- Jeśli urządzenie ma zostać umieszczone blisko ściany, ścianek działowych, mebli kuchennych, wykończeń dekoracyjnych itp., zaleca się, by pokryte były one materiałami niepalnymi; jeśli nie jest to możliwe, należy pokryć takie powierzchnie odpowiednim niepalnym materiałem termoizolacyjnym i postępować zgodnie z przepisami przeciwpożarowymi.
- Nie umieszczaj urządzenia na obiekcie emitującym ciepło (kuchenka gazowa, elektryczna, grill, itp.). Trzymaj urządzenie z dala od jakichkolwiek gorących powierzchni lub otwartego płomienia. Ustaw urządzenie na równej, stabilnej, czystej i suchej powierzchni, odpornej na działanie wysokich temperatur.
- Nie używaj urządzenia w pobliżu materiałów wybuchowych lub łatwopalnych, kart papierowych, dysków magnetycznych lub radioodbiorników.
- Urządzenie nie jest przystosowane do obsługi za pomocą zewnętrznego timera lub oddzielnego systemu zdalnego sterowania.
- **OSTRZEŻENIE:** Jeśli poziom oleju w zbiorniku sięga poniżej oznaczenia L (poziom min.) lub jeśli zbiornik jest pusty, istnieje ryzyko pożaru.
- **OSTRZEŻENIE:** Nie smaż w urządzeniu produktów żywnościowych, które zawierają dużo wody, aby zapobiec pienieniu się i pryskaniu oleju. W komorze smażenia można umieścić maksymalnie 1 kg produktów żywnościowych.
- Zapewnij co najmniej 20-centymetrową przestrzeń wokół urządzenia, celem umożliwienia odpowiedniej wentylacji podczas użytkowania.
- Używaj wyłącznie oleju przeznaczonego do smażenia. Regularnie wymieniaj olej lub tłuszcz w zbiorniku. Stary lub zanieczyszczony olej może się zapalić po podgrzaniu do zbyt wysokiej temperatury.



- Nie korzystaj z plastikowych sztućców w czasie obsługi urządzenia.
- **NIEBEZPIECZEŃSTWO!** Nigdy nie używaj starego oleju, ponieważ ma on obniżoną temperaturę zapłonu i jest bardziej podatny na nagłe wrzenie, co zwiększa ryzyko powstania pożaru lub sytuacji niebezpiecznych.
- **OSTRZEŻENIE!** Umieszczanie żywności o zbyt dużej zawartości wody lub w zbyt dużej ilości ma wpływ na szybkość osiągnięcia temperatury wrzenia przez olej.
- **OSTRZEŻENIE!** Ze względów bezpieczeństwa, za każdym razem podczas smażenia nie wkładaj zbyt dużej porcji żywności (maksymalny wsad to ok. 2 kg).
- Urządzenie i akcesoria do niego należy umyć po każdym użyciu (--> Czyszczenie i konserwacja)
- Nie czyść urządzenia strumieniem wody pod ciśnieniem ani przy pomocy myjki parowej, nie spłukuj urządzenia wodą, ponieważ doprowadzi to do zawilgocenia lub zamoczenia części wewnątrz urządzenia, co może skutkować porażeniem prądem.
- **UWAGA!** Odpowiednio poprowadź i zabezpiecz przewód zasilający, aby zapobiec przypadkowemu pociągnięciu lub kontaktowi z nagrzaną powierzchnią.
- Nie czyść urządzenia wodą. Mycie urządzenia może spowodować przedostanie się wody do części elektrycznych i doprowadzić do porażenia prądem.
- Nie czyść ani nie umieszczaj urządzenia w miejscu przechowywania, zanim całkowicie nie ostygnie.
- Części urządzenia nie mogą być myte w zmywarce.
- Przed czyszczeniem lub napełnianiem urządzenia wyjmij wtyczkę z gniazdka.
- Instalacja elektryczna musi spełniać odpowiednie wymagania krajowe i miejscowe.
- Upewnij się, czy zbiornik na olej oraz element grzewczy ustawione zostały w bezpiecznym miejscu w kuchni ze względu na wysoką temperaturę urządzenia podczas pracy.

## PRZEZNACZENIE

- Urządzenie przeznaczone do użytku profesjonalnego, obsługa tylko przez wykwalifikowany personel.
- Urządzenie przeznaczone jest do użytku komercyjnego i służy do smażenia odpowiednich produktów spożywczych, takich jak frytki itp. Użycie urządzenia w jakimkolwiek innym celu może prowadzić do jego uszkodzenia lub do obrażeń ciała.
- Wykorzystanie urządzenia w jakimkolwiek innym celu uznane będzie za wykorzystanie niezgodne z przeznaczeniem. Użytkownik będzie wyłącznie odpowiedzialny za nieprawidłowe wykorzystanie urządzenia.

## Instalacja uziemienia

Urządzenie to jest klasyfikowane jako **klasa ochrony I** i musi być potączone z podłożem ochronnym. Uziemienie zmniejsza ryzyko porażenia prądem elektrycznym, dostarczając przewód ewakuacyjny dla prądu elektrycznego. To urządzenie jest wy-

posażone w przewód zasilający, który ma przewód uziemiający i uziemioną wtyczkę. Wtyczka musi być podłączona do gniazdka, które jest prawidłowo zainstalowane i uziemione.

## Przygotowanie przed pierwszym użyciem

- Sprawdź, czy urządzenie nie jest uszkodzone. W przypadku jakichkolwiek uszkodzeń niezwłocznie skontaktuj się ze swoim dostawcą i NIE korzystaj z urządzenia.
- Zdjąć całe opakowanie i folię ochronną (o ile dotyczy).
- Wyczyścić urządzenie przy pomocy letniej wody i miękkiej szmatki.
- O ile nie zalecono inaczej, ustawić urządzenie na płaskim i stabilnym podłożu.
- Zapewnić wystarczającą przestrzeń wokół urządzenia, aby umożliwić wentylację urządzenia.
- Ustaw urządzenie tak, aby mieć zawsze dobry dostęp do wtyczki.
- Zachowaj opakowanie w celu przechowania urządzenia, jeśli nie jest używane przez dłuższy okres czasu.

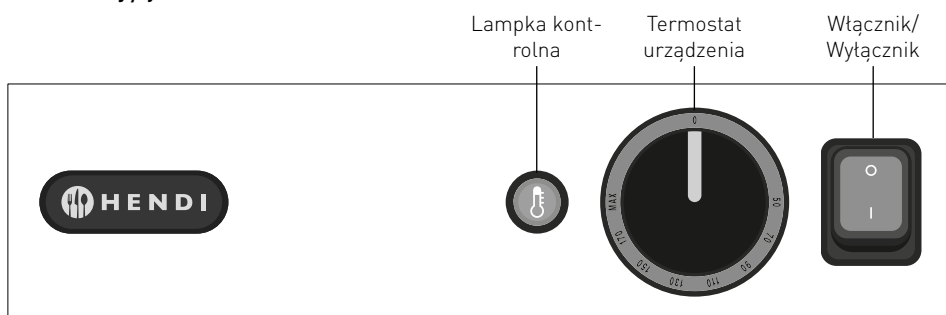
## Instalacja

- Urządzenie wyposażone jest w gumowe nóżki. Urządzenie należy ustawić na równej, stabilnej, czystej i suchej powierzchni, odpornej na działanie wysokich temperatur.
- Ostrożnie zamocuj tylny wspornik urządzenia z elementem grzewczym z tyłu zbiornika na olej.

### Uwaga:

1. Upewnij się, czy sworzeń znajdujący się na tylnym wsporniku urządzenia został prawidłowo zamocowany.
2. Przed rozpoczęciem pracy upewnij się, czy zbiornik na olej oraz element grzewczy ustawione zostały w bezpiecznym miejscu w kuchni ze względu na wysoką temperaturę urządzenia podczas pracy.

## Panel sterujący



## Użycie

**Uwaga: Urządzenie należy podłączyć do oddzielnego gniazda 16-amperowego.**

**W przypadku frytownicy podwójnej potrzebne są dwa odrębne gniazda.**

- Wyjmij wtyczkę z gniazdka.
- Napętnij pojemnik olejem lub tłuszczem aż do linii z napisem MAX.

**UWAGA!** W przypadku używania tłuszczu stałego, przed umieszczeniem w pojemniku należy go podgrzać – dzięki temu można uniknąć spalenia tłuszczu oraz przeciążenia urządzenia (Patrz część „Tłuszcz stały”).

- Włóż uzziemioną wtyczkę do uzziemionego gniazdka elektrycznego.
- Włącz urządzenie za pomocą zielonego przycisku

włócznika na panelu sterowania. Zapali się zielona lampka.

- Za pomocą termostatu wybierz żądaną temperaturę. Zapali się pomarańczowa lampka.
- Kiedy zostanie osiągnięta wybrana temperatura, pomarańczowa lampka zgaśnie.
- Podczas smażenia w głębokim tłuszczu lampka temperatury będzie gasnąć i zapalać się ponownie, co oznacza, że grzałka utrzymuje zadaną temperaturę.
- Można przystąpić do smażenia.

## Smażenie w głębokim tłuszczu

Frytownica jest wyposażona w unikalny system „zimnej strefy” umożliwiający opadanie okruszków i pozostałości po frytowaniu na dno pojemnika, co pozwala znacznie zwiększyć wydajność tłuszczu/oleju.

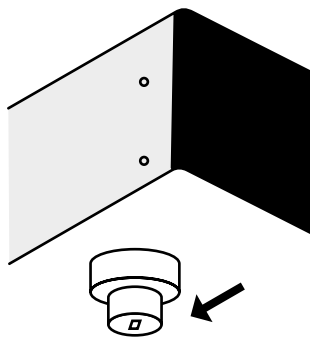
Regularnie sprawdzaj, czy w pojemniku jest wystarczająca ilość oleju lub tłuszczu. Poziom tłuszczu nigdy nie może być niższy niż poziom oznaczony jako MIN.

## RESETOWANIE ogranicznika temperatury (wyłącznik termiczny)

Należy pamiętać, że przycisk RESET znajduje się w dolnej części odłączanego panelu sterującego i zabezpieczony jest nasadką (patrz rysunek).

- Najpierw odłącz urządzenie od źródła zasilania, wyjmując wtyczkę z gniazdka.
- Pozostaw urządzenie do całkowitego ostygnięcia.
- Odłącz odłączany panel sterowania z podstawki.
- Odkręć czarną nakrętkę ochronną przycisku RESET.
- Wciśnij przycisk RESET ogranicznika temperatury (wyłącznik termiczny). Usłyszysz kliknięcie.
- Przykręć ponownie czarną nakrętkę ochronną przycisku RESET.

- Zamontuj ponownie odłączony panel sterowania na podstawie.



## Skazówki smażenia w głębokim tłuszczu

- Używaj wyłącznie płynnego oleju lub płynnego tłuszczu do smażenia
- Zalecana temperatura smażenia frytek i przekąsek to maksymalnie 175°C.
- Usuwaj lód i okruszki z zamrożonej żywności.
- Nie smaż w głębokim tłuszczu zbyt dużych porcji. Może doprowadzić to do spadku temperatury oleju lub tłuszczu. Wychłodzony olej/tłuszcz nie obsmaży odpowiednio powierzchni, powodując zwiększenie wchłaniania tłuszczu. W przypadku intensywnego użytkowania należy filtrować okru-

chy i odpady z oleju/tłuszczu.

- Należy wymieniać olej lub tłuszcz w odpowiednim momencie. Aby sprawdzać, kiedy należy wymienić olej/tłuszcz, regularnie stosuj testy paskowe lub urządzenia do testów.
- Zanim olej lub tłuszcz zacznie się pienić, dymić lub stanie się zbyt lepki, należy wymienić olej lub tłuszcz. Wymień olej/tłuszcz, gdy ma silny zapach lub smak.
- Nie należy mieszać oleju świeżego z używanym.

## Stały tłuszcz

- W przypadku stosowania stałego tłuszczu pomimo zaleceń: powoli podgrzewaj tłuszcz na najniższej temperaturze do roztopienia. Po roztopieniu tłuszczu można ustawić odpowiednią temperaturę smażenia.
- W przypadku zastosowania stałego tłuszczu poczekaj, aż kawatki tłuszczu powoli się roztopią na

zwykłej patelni, przy średnim ogniu. Ostrożnie przelej roztopiony tłuszcz do frytownicy. Podłącz wtyczkę i włącz frytownicę.

- Po użyciu wyjmij kosz do smażenia w głębokim tłuszczu. Dzięki temu kosz nie zastygnie w stężałym tłuszczu.

## Po użyciu

- Wyłącz urządzenie i odłącz kabel z gniazdka.
- Wyjmij kosz z pojemnika z olejem. Dzięki temu kosz nie zastygnie w stężałym tłuszczu.

- Frytkownicę pozostaw tak długo naswoim miejscu, aż ochłodzi się ona i jej zawartość.
- Przykryj frytownicę pokrywą, aby zapobiec starzeniu się oleju.

## Czyszczenie i konserwacja

- Przed umyciem zawsze wyłącz urządzenie z prądu.
- Uwaga: Nigdy nie zanurzaj urządzenia w wodzie lub w innym płynie!
- Umyj zewnętrzną stronę przy pomocy wilgotnej szmatki (użyj roztworu wody i łagodnego środka czyszczącego).

- Nigdy nie używaj żrących środków czyszczących ani materiałów ściernych. Nie używaj ostrych przedmiotów. Nie używaj benzyny ani rozpuszczalników. Czyść urządzenie wilgotną szmatką oraz ewentualnie płynem do mycia naczyń. Nie stosuj żadnych materiałów ściernych.

## Wyszukiwanie i usuwanie usterek

Usterka	Objawy	Możliwa przyczyna	Możliwe rozwiązanie
Urządzenie nie działa	Nie pali się zielona lampka, nie pali się pomarańczowa lampka	Panel sterowania niepoprawnie zainstalowany na podstawie	Poprawnie zainstaluj panel sterowania na podstawie
		Brak napięcia w sieci	Sprawdź instalację elektryczną
		Urządzenie jest wyłączone	Włącz urządzenie
		Uszkodzony mikroprzetwornik	Skontaktuj się z dostawcą
Urządzenie nie nagrzewa się	Pali się zielona lampka, nie pali się pomarańczowa lampka	Termostat ustawiony na zbyt niską temperaturę	Ustaw termostat na wyższą temperaturę
		Uruchoił się system ogranicznika temperatury (wyłącznik termiczny)	Zresetuj system ogranicznika temperatury (wyłącznik termiczny) (Patrz strona 21)
		Uszkodzony system ogranicznika temperatury (wyłącznik termiczny)	Skontaktuj się z dostawcą
		Uszkodzony termostat	Skontaktuj się z dostawcą
Urządzenie nie osiąga zadanej temperatury	Pali się zielona lampka, pali się pomarańczowa lampka, ale czas smażenia jest zbyt długi lub temperatura jest za wysoka	Uszkodzony termostat	Skontaktuj się z dostawcą

Jeśli po przeprowadzeniu powyższych kontroli usterka nadal występuje, zalecamy skontaktowanie się z dostawcą. W razie wątpliwości zawsze skontaktuj się z dostawcą!



## Specyfikacja techniczna

Numer produktu	207208	209202	207307	209301
Napięcie robocze (V) & częstotliwość (Hz)	220-240V- 50/60Hz			
Maksymalny pobór mocy elektrycznej (W)	3500 W		2x3500 W	
Stopień ochrony	Klasa I			
Współczynnik szczelności	IPX3			
Zakres temperatury	50 - 190°C			
Temperatura otoczenia	5 - 45°C			
Zawartość	8 L		16 L	
Wymiary urządzenia (W x D x H)	305x460x (H)350mm	305x515x (H)350mm	605x460x (H)350mm	605x515x (H)350mm
Waga netto (ok.)	8,1 kg	8,6 kg	20,5 kg	21,5 kg

**Uwagi: Specyfikacja techniczna może ulec zmianie bez uprzedzenia.**

### Gwarancja

Każda wada bądź usterka powodująca niewłaściwe funkcjonowanie urządzenia, która ujawni się w ciągu jednego roku od daty zakupu, zostanie bezpłatnie usunięta lub urządzenie zostanie wymienione na nowe, o ile było użytkowane i konserwowane zgodnie z instrukcją obsługi i nie było wykorzystywane w niewłaściwy sposób lub niezgodnie z przeznaczeniem. Postanowienie to w żadnej mierze nie narusza innych praw użytkownika wynikających z przepisów prawa. W przypadku zgłoszenia urzą-

dzenia do naprawy lub wymiany w ramach gwarancji należy podać miejsce i datę zakupu urządzenia i dołączyć dowód zakupu (np. paragon).

Zgodnie z naszą polityką ciągłego doskonalenia wyrobów zastrzegamy sobie prawo do wprowadzania bez uprzedzenia zmian w wyrobie, opakowaniu oraz danych technicznych podawanych w dokumentacji.

## Wycofanie z użytkowania i ochrona środowiska

### Pamiętaj!

**Nie wyrzucaj zużytego sprzętu łącznie z innymi odpadami**

**Nie demontuj zużytych urządzeń zawierających niebezpieczne składniki na własną rękę!**

**Grożą Ci za to kary grzywny!**

Po zakończeniu eksploatacji produktu nie wolno gromadzić razem z odpadami komunalnymi, tylko należy odstawić do punktu odbioru odpadów elektrycznych i elektronicznych. Użytkownik ponosi odpowiedzialność za przekazanie wycofanego z użytkowania urządzenia do punktu gospodarowania odpadami. Nieprzestrzeganie tej zasady może być karane zgodnie z lokalnie obowiązującymi przepisami dotyczącymi gospodarowania odpadami. Jeśli urządzenie wycofane z użytkowania jest poprawnie odebrane jako osobny odpad, może zostać przetworzone i zutylicowane w sposób przyjazny dla środowiska, co zmniejsza negatywny wpływ na środowisko i zdrowie ludzi. Aby uzyskać więcej informacji dotyczących dostępnych usług w zakresie odbioru odpadów, należy skontaktować się z lokalną firmą odbierającą odpady.



Symbol przekreślonego kosza na śmieci oznacza, że tego produktu nie wolno wyrzucać do zwykłych pojemników na odpady.

Zużyte urządzenia elektryczne i elektroniczne mogą zawierać niebezpieczne składniki np. rtęć, ołów, kadm lub freon. Jeśli tego typu substancje przedostaną się w sposób niekontrolowany do środowiska, spowodują skażenie wody i gleby, a także wpłyną niekorzystnie na zdrowie ludzi i zwierząt.

Właściwe postępowanie ze zużytym sprzętem zapobiega potencjalnym negatywnym konsekwencjom dla środowiska naturalnego i ludzkiego zdrowia.


Jednocześnie oszczędzamy naturalne zasoby naszej Ziemi wykorzystując powtórnie surowce uzyskane z przetwarzania sprzętu.



Cher client,

Merci d'avoir acheté cet appareil de HENDI. Veuillez lire attentivement ce mode d'emploi avant de brancher l'appareil afin d'éviter tout endommagement pour cause d'usage abusif. Veuillez notamment lire les consignes de sécurité avec la plus grande attention.

## Règles de sécurité

- L'utilisation abusive et le maniement incorrect de l'appareil peuvent entraîner une grave détérioration de l'appareil ou provoquer des blessures.
- Cet appareil est destiné à un usage professionnel uniquement.
- L'appareil doit être utilisé uniquement pour le but il a été conçu. Le fabricant décline toute responsabilité en cas de dommage consécutif à un usage abusif ou un maniement incorrect.
- Veillez à tenir l'appareil et la prise électrique hors de portée de l'eau ou de tout autre liquide. Si malencontreusement l'appareil tombe dans l'eau, débranchez immédiatement la prise électrique et faites contrôler l'appareil par un réparateur agréé. La non-observation de cette consigne entraîne un risque d'accident mortel.
- Ne tentez jamais de démonter vous-même le bâti de l'appareil.
- N'enfoncez aucun objet dans la carcasse de l'appareil.
- Ne touchez pas la prise avec les mains mouillées ou humides.
-  **RISQUE D'ÉLECTROCUTION!** Ne tentez jamais de réparer l'appareil. Tous défauts et dysfonctionnement doivent être supprimés par le personnel qualifié.
- **N'utilisez jamais l'appareil endommagé!** Débranchez l'appareil endommagé de l'alimentation électrique et contactez votre revendeur.
- **AVERTISSEMENT:** N'immergez pas les pièces électriques de l'appareil dans l'eau ou dans d'autres liquides. Ne mettez pas l'appareil sous l'eau courante.
- Vérifiez régulièrement la fiche et le câble d'alimentation pour les dommages. La fiche ou le câble d'alimentation endommagé(e) transmettent pour la réparation au service ou à une personne qualifiée, pour prévenir tous les menaces ou les blessures possibles.
- Assurez-vous que le câble d'alimentation n'est pas en contact avec les objets pointus ou chauds ; gardez le câble loin des flammes nues. Pour retirer la fiche de la prise murale, tirez toujours en tenant la fiche et non le câble d'alimentation.
- Protégez le câble d'alimentation (ou la rallonge) contre le débranchement accidentel de la prise murale. Le câble doit être posé de manière ne provoquant pas les chutes accidentelles.
- Surveillez en permanence l'appareil pendant l'utilisation.
- **AVERTISSEMENT !** Si la fiche est insérée dans la prise murale, l'appareil doit être considéré comme branché à l'alimentation.
- Avant de retirer la fiche de la prise, éteignez l'appareil !
- Ne transportez jamais l'appareil en tenant le câble.
- N'utilisez aucuns accessoires qui n'ont pas été fournis avec l'appareil.
- L'appareil doit être branché à la prise murale avec une tension et la fréquence indiquées sur la plaque signalétique.


FR





- Insérez la fiche à la prise murale située dans un endroit facilement accessible de sorte qu'en cas de panne l'appareil puisse être immédiatement déconnecté. Pour éteindre complètement l'appareil, débranchez-le de la source d'alimentation. Pour cela, retirez la fiche à l'extrémité du câble d'alimentation de la prise murale.
- Eteignez l'appareil avant de débrancher l'appareil de la prise!
- N'utilisez jamais les accessoires non recommandés par le fabricant. L'utilisation des accessoires non recommandés peut présenter des risques pour l'utilisateur et provoquer les dommages à l'appareil. Utilisez uniquement des pièces et accessoires originaux.
- Cet appareil n'est pas apte à être utilisé par des personnes (enfants compris) avec capacités physiques, sensorielles ou intellectuelles diminuées ou ne possédant pas l'expérience et les connaissances suffisantes.
- Ne laissez jamais les enfants utiliser l'appareil.
- L'appareil et le câble d'alimentation doivent être stockés hors de la portée des enfants.
- Ne permettez pas aux enfants d'utiliser l'appareil pour jouer
- Débranchez toujours l'appareil de l'alimentation s'il doit être laissé sans surveillance et également avant le montage, le démontage et le nettoyage.
- Ne laissez jamais l'appareil sans surveillance lorsqu'il est utilisé.
- Changez régulièrement l'huile usagée pour réduire les risques d'émission de dioxines, qui sont cancérigènes.

## Consignes particulières de sécurité

-  **ATTENTION ! SURFACE CHAUDE !** La température des surfaces disponibles de l'appareil pendant l'utilisation est très élevée. Touchez uniquement les boutons du panneau de contrôle.
- Si l'appareil doit être placé à proximité de murs, de cloisons, de meubles de cuisine, de finitions décoratives, etc., il est recommandé de les recouvrir de matériaux ininflammables ; Si cela n'est pas possible, couvrez ce type de surfaces avec un matériau d'isolation thermique non combustible approprié et respectez les réglementations en matière d'incendie.
- Ne placez pas l'appareil sur un objet émettant de la chaleur (cuisinière à gaz, cuisinière électrique, grill, etc.). Gardez l'appareil à l'écart de toute surface chaude ou d'une flamme nue. Placez l'appareil sur une surface plane, stable, propre et sèche, résistant aux températures élevées.
- N'utilisez pas l'appareil à proximité de matériaux explosifs ou inflammables, de cartes de paiement, de disques magnétiques ou de radios.
- L'appareil n'est pas conçu pour fonctionner avec une minuterie externe ou un système de télécommande séparé.
- **AVERTISSEMENT** : Si le niveau d'huile dans le réservoir est inférieur au marquage L (niveau minimum) ou si le réservoir est vide, il y a un risque d'incendie.
- **AVERTISSEMENT** : Ne faites pas frire des produits alimentaires contenant beaucoup d'eau pour éviter la formation de mousse et les éclaboussures d'huile. Il est possible de mettre au maximum 1 kg de produits alimentaires dans la chambre de cuisson.



- Assurez un espace d'au moins 20 cm autour de l'appareil pour garantir une ventilation adéquate pendant l'utilisation.
- Utilisez uniquement l'huile destinée à la friture. Changez d'huile ou la graisse dans le réservoir. L'huile usée ou sale peut s'enflammer lorsqu'elle est chauffée à une température trop élevée.
- N'utilisez pas de couverts en plastique lorsque vous utilisez l'appareil.
- **DANGER !** N'utilisez jamais de l'huile usée parce que son point d'éclair est inférieur et elle est plus sujette à l'ébullition soudaine ce qui augmente le risque d'incendie ou de situation dangereuse.
- **ATTENTION !** L'utilisation de la nourriture de teneur en eau trop élevée ou de la quantité de nourriture excessive influencera la rapidité d'atteindre de la température d'ébullition de l'huile.
- **ATTENTION !** Pour des raisons de sécurité chaque fois pendant la friture ne mettez pas trop de nourriture (la quantité maximale est d'environ 2 kg).
- Lavez l'appareil et les accessoires après chaque utilisation (--> Nettoyage et entretien)
- Ne nettoyez pas l'appareil avec un jet d'eau sous pression ou avec un nettoyeur à vapeur, ne rincez pas l'appareil avec de l'eau pour éviter l'humidité ou la pénétration de l'eau dans l'appareil ce qui pourrait entraîner un choc électrique.
- **ATTENTION !** Faites passer et protégez correctement le cordon d'alimentation pour éviter toute traction accidentelle et tout contact avec la surface chauffée.
- Ne nettoyez pas l'appareil avec de l'eau. Le nettoyage de l'appareil peut provoquer la pénétration de l'eau dans les pièces électriques et provoquer un choc électrique.
- Ne nettoyez pas et ne placez pas l'appareil dans un endroit de stockage avant qu'il ne soit complètement refroidi.
- Les parties de l'appareil ne peuvent pas être lavées au lave-vaisselle.
- Avant de nettoyer ou de remplir l'appareil, débranchez la fiche de la prise de courant
- L'installation électrique doit répondre aux exigences nationales et locales pertinentes.
- Assurez-vous que le réservoir d'huile et l'élément chauffant sont placés dans un endroit sûr dans la cuisine en raison de la température élevée de l'appareil pendant le fonctionnement.

FR

### Destination de l'appareil

- Cet appareil est destiné à un usage professionnel. Ne peut qu'être utilisé par du personnel qualifié.
- L'appareil est destiné à un usage commercial et est utilisé pour la friture d'aliments appropriés tels que les frites, etc. L'utilisation de l'appareil à d'autres fins peut entraîner des dommages ou des blessures.
- L'utilisation de l'appareil à d'autres fins sera considérée comme une utilisation inappropriée. L'utilisateur sera seul responsable de l'utilisation incorrecte de l'appareil.



## Installation de mise à la terre

Cet appareil est classé dans la **classe de protection I** et doit être raccordé à un sol de protection. La mise à la terre réduit le risque de choc électrique en fournissant un fil d'évacuation pour le courant électrique. Cet appareil est équipé d'un cordon

d'alimentation muni d'un fil de mise à la terre et d'une prise mise à la terre. La fiche doit être branchée sur une prise correctement installée et mise à la terre.

## Préparation avant la première utilisation

- Assurez-vous que l'appareil est intact. S'il est endommagé, contactez immédiatement votre fournisseur et **N'UTILISEZ PAS** l'appareil.
- Enlevez tout le matériel d'emballage et le feu de protection éventuellement existant
- Nettoyez l'appareil avec de l'eau tiède et un chiffon doux.
- Mettez l'appareil dans une position horizontale et sur un fondement stable à moins qu'il ne soit indiqué autrement.
- Veillez à ce qu'il reste assez d'espace autour de l'appareil pour l'évacuation de la chaleur.
- Installez l'appareil en veillant à ce que la prise de courant demeure accessible à tout moment.
- Conservez l'emballage pour le stockage de l'appareil si celui-ci n'est pas utilisé pendant une longue période.

## Installation

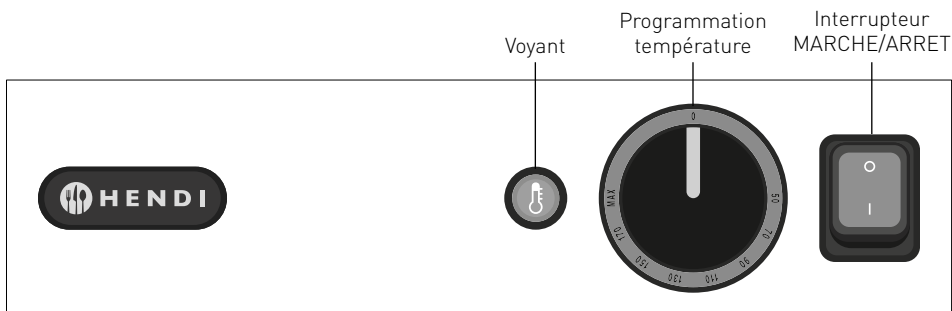
- L'appareil est équipé de pieds en caoutchouc. L'appareil doit être placé sur une surface plane, stable, propre et sèche, résistant aux températures élevées.
- Fixez soigneusement le support arrière de l'appareil avec l'élément chauffant à l'arrière du réservoir d'huile.

Note:

1. Assurez-vous que l'axe à l'arrière de l'appareil est correctement fixé.
2. Avant de commencer le travail, assurez-vous que le réservoir d'huile et l'élément chauffant sont placés dans un endroit sûr dans la cuisine en raison de la température élevée de l'appareil pendant le fonctionnement.

FR

## Tableau de contrôle



## Utilisation

**Attention : Mettez l'applicateur dans un group différent de 16 ampères**

**Cette Friteuse est un Friteuse double, vous-prenez deux groupe différente.**

- Retirez la fiche de la prise de courant.
- Remplissez le récipient avec de l'huile ou de la graisse jusqu'à l'indication MAX. ATTENTION! Si vous utilisez une graisse consistante, préchauffez-la avant d'en remplir l'appareil. Vous éviterez ainsi qu'elle ne brûle et aussi la surcharge de l'appareil (Voir 'conseils graisse consistante').
- Introduisez la fiche à ergot de terre dans une prise à la terre.
- Mettez l'appareil en marche en appuyant sur le bouton marche/arrêt vert du panneau de commande. Le voyant vert du bouton marche/arrêt s'allume.
- Mettez le thermostat à la température désirée. Le voyant orange s'allume.
- Quand l'huile/graisse est à la température désirée, le voyant orange s'éteint
- Pendant la friture le thermostat s'éteindra et s'allumera pour indiquer que l'élément chauffant maintient la température indiquée.
- Vous pouvez faire frire.

## Friture

La friteuse comporte une zone froide unique pour que les miettes et le résidu coulent au fond et pour préserver la qualité de l'huile.

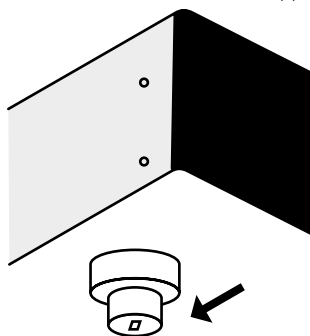
Contrôlez régulièrement s'il y a assez d'huile ou de graisse dans le récipient. Le niveau ne doit jamais se trouver au-dessous de l'indication MIN.

## REMISE A ZERO (RESET) du dispositif de protection thermique

Veillez noter que le bouton de REINITIALISATION est situé sous l'ensemble de l'élément chauffant amovible et est protégé par un capuchon (voir la figure).

- D'abord débranchez la friteuse de la prise électrique.
- Laissez refroidir la friteuse complètement.
- Retirez l'élément chauffant de la friteuse de l'appareil.
- Retirez le capuchon noir de protection du bouton de REINITIALISATION.
- Appuyez sur le bouton de REINITIALISATION du dispositif de protection thermique. Vous allez entendre un clic.

- Revissez le capuchon noir de protection du bouton de REINITIALISATION.
- Installez l'élément chauffant dans l'appareil.



## Conseils de friture

- Utilisez préférentiellement uniquement de graisse liquide ou d'huile.
- La température recommandée pour les frites et les collations est de 175°C maximum.
- Retirez de la glace et des miettes des aliments congelés.
- Ne mettez jamais trop de produits à frire dans la friteuse, car cela refroidit l'huile/la graisse rapidement et les produits à frire ne seront pas assez vite grillés et seront plus intégrés avec de matières grasses. Avec un usage intensif vous devriez toujours enlever les restes de cuisson de la graisse/huile.
- Remplacez l'huile/la graisse à temps. Utilisez des bandes d'essai ou un appareil de mesure pour suivre quand il faut remplacer la graisse.
- Si la graisse ou d'huile a de la mousse, la fumée ou devient liquoreux, vous devez le remplacer. Aussi quand une forte odeur ou un goût fort se développe.
- Ne mélangez jamais de l'huile neuve avec de l'huile usagée.

## Graisse consistante

- Si vous utilisez, contre nos conseils, quand même de graisse consistante : faire chauffer la graisse lentement, dans la position la plus basse jusqu'à ça fonde. Lorsque la graisse a fondu, vous pouvez régler la température de friture adéquate.
- Lorsque vous utilisez de graisse consistante, laissez fondre le bloc de graisse lentement sur

un feu modéré dans une poêle à frire normale. Versez délicatement la graisse fondue dans la friteuse. Branchez la fiche principale et allumez la friteuse.

- Retirez le panier de friture après utilisation de la graisse. Cela empêche que le panier devient coincé dans la graisse solidifiée.

## Après utilisation

- Débranchez l'appareil, éteignez l'interrupteur et retirez la fiche de la prise de courant.
- Retirez le panier avant qu'il ne se fige dans la graisse refroidie.

- Laissez la friteuse à sa place, jusqu'à ce que l'appareil et son contenu aient refroidi.
- Placez le couvercle sur la friteuse pour mieux conserver la graisse.

## Nettoyage et entretien

- Avant de nettoyer l'appareil, débranchez toujours la prise électrique.
- Attention : Ne plongez jamais l'appareil dans de l'eau ou dans un autre liquide !
- Nettoyez l'extérieur de l'appareil avec un chiffon humide (imbibé d'eau mélangée à un détergent doux).

- N'utilisez jamais de détergent agressif, de la poudre à récurer ou des nettoyeurs chlorés. N'utilisez jamais d'objet tranchant ou pointu. N'utilisez jamais d'essence ou de solvant ! Nettoyez avec un chiffon humide et éventuellement du liquide vaisselle, mais n'utilisez pas de produit abrasif.

## Recherche des pannes et dépannage

Panne	Description	Cause possible	Solution possible
L'appareil ne fonctionne pas du tout.	Voyant orange et vert ne s'allument pas	Le bloc de commande amovible n'est pas bien placé sur le support.	Placez le bloc de commande amovible sur le support. Voir Installation.
		Pas de tension	Contrôlez l'installation électrique
		Interrupteur "off"	Réinitialisez l'interrupteur
		Micro interrupteur défectueux	Contactez votre fournisseur
L'appareil reste froid	Interrupteur vert s'allume & voyant orange n'est pas allumé	Le thermostat est réglé à une température trop basse	Réglez le thermostat à une température plus chaude
		Dispositif de protection thermique enclenchée.	Réinitialisez la dispositif de protection thermique (voir page 26)
		Dispositif de protection thermique défectueux.	Contactez votre fournisseur
		Thermostat défectueux	Contactez votre fournisseur
L'appareil ne fournit pas la température désirée	Interrupteur vert s'allume & voyant orange s'allume, mais frire trop lente ou la température est trop élevée	Thermostat défectueux	Contactez votre fournisseur

Si après ces contrôles, le dysfonctionnement persiste, il est conseillé de contacter votre fournisseur.  
En cas de doute, contactez votre fournisseur.



## Caractéristiques techniques

Numéro de produit	207208	209202	207307	209301
Tension de fonctionnement (V) & fréquence (Hz)	220-240V- 50/60Hz			
Consommation d'énergie maximale (W)	3500 W		2x3500 W	
Degré de protection	Classe I			
Coefficient d'étanchéité	IPX3			
Plage de température	50 - 190°C			
Température ambiante	5 - 45°C			
Contenu	8 L		16 L	
Dimensions de l'appareil (W x D x H)	305x460x (H)350mm	305x515x (H)350mm	605x460x (H)350mm	605x515x (H)350mm
Poids net (env.)	8,1 kg	8,6 kg	20,5 kg	21,5 kg

**Remarque : Les caractéristiques peuvent être modifiées sans préavis.**

### Garantie

Tout vice ou toute défaillance entraînant un dysfonctionnement de l'appareil qui se déclare dans les 12 mois suivant la date de l'achat sera éliminé à titre gratuit ou l'appareil sera remplacé par un appareil nouveau si le premier a été dûment exploité et entretenu conformément aux termes de la notice d'exploitation et s'il n'a pas été indûment exploité ou de manière non conforme à sa destination. La présente stipulation ne porte pas de préjudice aux autres droits de l'utilisateur prévus par les dispositions légales. Dans le cas où l'appareil est donné à la réparation ou doit être remplacé

dans le cadre de la garantie, il y a lieu de spécifier le lieu et la date de l'achat de l'appareil et produire un justificatif nécessaire (par ex. facture ou ticket de caisse).

Conformément à notre politique d'amélioration permanente de nos produits, nous nous réservons le droit d'introduire sans avertissement préalable des modifications à l'appareil, à l'emballage et aux caractéristiques techniques précisées dans la documentation.

### Élimination et protection de l'environnement

En cas de retrait du produit de l'exploitation l'appareil ne peut pas être jeté avec d'autres déchets ménagers. L'utilisateur est responsable de la remise de l'équipement au point de collecte approprié pour l'équipement usagé. Le non-respect des dispositions ci-dessus peut entraîner les pénalités conformément à la réglementation applicable en matière d'élimination des déchets. La collecte sélective et le recyclage des équipements usagés contribuent à la conservation des ressources natu-

relles et assurent un recyclage sans danger pour la santé et l'environnement.


Pour plus d'informations sur les endroits de collecte des équipements usagés pour le recyclage, contactez la société de collecte des déchets locale. Le producteur et l'importateur ne sont pas responsables du recyclage et du traitement des déchets d'une manière respectueuse de l'environnement directement et dans le système public.



Gentile cliente,

grazie per aver acquistato questo apparecchio Hendi. Ti invitiamo a leggere queste istruzioni per l'uso con attenzione prima di collegare l'apparecchio al fine di evitare danni dovuti a uso improprio. Ti invitiamo inoltre a prestare particolare attenzione alle precauzioni di sicurezza.

## Precauzioni di sicurezza


- L'uso scorretto e improprio dell'apparecchio possono danneggiare seriamente l'apparecchio e ferire gli utenti.
- Questo apparecchio è destinato esclusivamente all'uso commerciale.
- L'apparecchio può essere utilizzato solo per lo scopo per cui è stato concepito e progettato. Il produttore non è responsabile di eventuali danni provocati da uso scorretto ed improprio.
- Tenere l'apparecchio e la spina elettrica lontani da acqua ed altri liquidi. Nel caso improbabile che l'apparecchio cada in acqua, staccare immediatamente la spina dalla presa e fare ispezionare l'apparecchio da un tecnico certificato. L'inosservanza delle presenti istruzioni può dare luogo a situazioni pericolose
- Non provare mai ad aprire l'involucro dell'apparecchio da soli.
- Non inserire oggetti nell'involucro dell'apparecchio.
- Non toccare la presa con le mani bagnate o umide.
-  **PERICOLI DI SCOSSE ELETTRICHE!** Non tentare di riparare l'apparecchio da solo. Eventuali difetti e malfunzionamenti devono essere rimossi solo da personale qualificato.
- **Non usare l'apparecchio danneggiato!** L'apparecchio difettoso deve essere immediatamente scollegato dalla rete e contattare il rivenditore.
- **ATTENZIONE:** Non immergere parti elettriche in acqua o altri liquidi. Non mettere l'apparecchio sotto l'acqua corrente.
- Controllare regolarmente se la spina e il cavo di alimentazione non sono danneggiati. La spina o il cavo danneggiati trasmettere al servizio o alla persona qualificata per riparare, per evitare eventuali pericoli e lesioni.
- Assicurarsi che il cavo di alimentazione non è in contatto con oggetti appuntiti o caldi. Tenere il cavo lontano da fiamme libere. Per scollegare la spina dalla presa, tirare sempre la spina, mai il cavo.
- Proteggere il cavo di alimentazione (o di estensione) per la sconnessione accidentale dalla presa. Disporre il cavo in modo per evitare lo slittamento accidentale.
- Sorvegliare l'apparecchio continuamente durante l'uso.
- **ATTENZIONE!** Se la spina è inserita nella presa, l'apparecchio è considerato come collegato.
- Prima di rimuovere la spina dalla presa, spegnere l'apparecchio!
- Non trasportare l'apparecchio tenendo il cavo di alimentazione.
- Non utilizzare qualsiasi accessorio che non è stato fornito con l'apparecchio.
- L'apparecchio deve essere collegato ad una presa con tensione e frequenza indicate sulla targhetta.

IT



- Inserire la spina nella presa situata in un punto facilmente accessibile in modo che in caso di guasto sia possibile scollegare immediatamente l'apparecchio. Per spegnere completamente l'apparecchio, scollegarlo dalla presa di corrente. Per questo staccare la spina che si trova sull'estremità del cavo di alimentazione.
- Prima di scollegare la spina, ricordarsi sempre di spegnere l'apparecchio!
- Non usare gli accessori non raccomandati dal produttore. L'uso di accessori non raccomandati può creare i rischi per l'utente e provocare i danni all'apparecchio. Usare unicamente solo pezzi ed accessori originali.
- L'installazione elettrica deve soddisfare le normative nazionali e locali applicabili. Questo apparecchio non è destinato all'uso da parte di persone (inclusi i bambini) con capacità fisiche, sensoriali o mentali ridotte, o senza esperienza e conoscenza.
- Non permettere ai bambini di utilizzare l'apparecchio.
- Tenere l'apparecchio con il cavo fuori dalla portata dei bambini.
- Non permettere ai bambini di giocare con l'apparecchio.
- Scollegare l'apparecchio dalla rete se esso deve essere lasciato incustodito e prima del montaggio, dello smontaggio o della pulizia.
- Non lasciare l'apparecchio incustodito durante l'utilizzazione.
- Cambiare regolarmente l'olio vecchio per ridurre il rilascio di diossine che sono cancerogene.

## Disposizioni particolari di sicurezza

-  **ATTENZIONE! SUPERFICIE CALDA!** La temperatura delle superfici disponibili dell'apparecchio durante l'uso è molto alta. Toccare solo i pulsanti del pannello di controllo.
- Se l'apparecchio deve essere posizionato vicino a pareti, pareti divisorie, mobili da cucina, finiture decorative, ecc., si raccomanda che siano coperti con materiali non infiammabili; se questo non è possibile, coprire tali superfici con un idoneo materiale isolante termico non combustibile e osservare le norme antincendio.
- Non posizionare l'apparecchio su un oggetto che emette calore (fornello a gas, fornello elettrico, grill, ecc.). Tenere l'apparecchio lontano da superfici calde o fiamme libere. Posizionare l'apparecchio su una superficie piana, stabile, pulita e asciutta, resistente alle alte temperature.
- Non utilizzare l'apparecchio vicino a materiali esplosivi o infiammabili, carte di pagamento, dischi magnetici o radio.
- L'apparecchio non è progettato per funzionare con un timer esterno o un sistema di controllo remoto separato.
- **AVVERTENZA:** se il livello dell'olio nel recipiente è al di sotto del segno L (livello minimo) o se il recipiente è vuoto, c'è il rischio di incendio.
- **AVVERTENZA:** non friggere prodotti alimentari che contengono molta acqua per evitare la formazione di schiuma e schizzi d'olio. Mettere nella camera di frittura al massimo 1 kg di prodotti alimentari.



- Prevedere almeno uno spazio di 20 centimetri attorno all'apparecchio per assicurare una corretta ventilazione durante l'uso.
- Utilizzare solo olio per frittura. Cambiare regolarmente olio o grasso nel recipiente. L'olio vecchio o sporco può incendiarsi se è riscaldato a una temperatura troppo alta.
- Non utilizzare le posate di plastica mentre si utilizza l'apparecchio.
- **PERICOLO!** Non usare mai olio vecchio perché il suo punto di infiammabilità è inferiore ed è più incline ad ebollizione improvvisa che aumenta il rischio di un incendio o di una situazione pericolosa.
- **ATTENZIONE!** L'utilizzo di cibo di contenuto troppo elevato di acqua o di quantità eccessiva di cibo influisce la velocità di raggiungere la temperatura di ebollizione dell'olio.
- **ATTENZIONE!** Per ragioni di sicurezza ogni volta durante frittura non mettere troppa quantità di cibo (carico massimo è di circa 2 kg).
- Lavare l'apparecchio e i suoi accessori dopo ogni utilizzo (-> Pulizia e manutenzione)
- Non lavare l'apparecchio con acqua o un forte getto di acqua e non utilizzare un pulitore a vapore. La pulizia dell'apparecchio con l'acqua può causare la penetrazione dell'umidità nei componenti elettrici e causare una scossa elettrica.
- **ATTENZIONE!** Far passare e proteggere il cavo di alimentazione per evitare di strappare o toccare accidentalmente la superficie riscaldata.
- Non pulire l'apparecchio con l'acqua. La pulizia dell'apparecchio con l'acqua può causare la penetrazione dell'umidità nei componenti elettrici e causare una scossa elettrica.
- Non pulire o posizionare l'apparecchio in un luogo di conservazione se non è completamente raffreddato.
- Le parti dell'apparecchio non possono essere lavate in lavastoviglie.
- Prima di pulire o riempire l'apparecchio, scollegare l'apparecchio dalla presa.
- L'installazione elettrica deve soddisfare i requisiti nazionali e locali pertinenti.
- Assicurarsi che il recipiente dell'olio e l'elemento riscaldante siano collocati in un luogo sicuro in cucina a causa dell'elevata temperatura dell'apparecchio durante il funzionamento.

---

### Destinazione del dispositivo

- Questo apparecchio è destinato all'uso professionale e può essere utilizzato solo da personale qualificato.
- L'elettrodomestico è progettato esclusivamente per friggere alimenti adatti come patatine fritte, ecc. L'uso del dispositivo per qualsiasi altro scopo può causare danni o lesioni.
- L'uso del dispositivo per qualsiasi altro scopo sarà considerato un uso improprio. L'utente sarà l'unico responsabile per l'uso scorretto del dispositivo.

---

### Installazione di messa a terra

Questo apparecchio è classificato come **classe di protezione I** e deve essere collegato a un terreno di protezione. La messa a terra riduce il rischio di scosse elettriche fornendo un filo di fuga per la corrente elettrica. Questo apparecchio è dotato di

un cavo di alimentazione che ha un cavo di messa a terra e una spina messa a terra. La spina deve essere collegata a una presa correttamente installata e messa a terra.



## Preparazione per la messa in funzione

- Controllare il perfetto funzionamento dell'apparecchio. In caso di malfunzionamento, mettersi immediatamente in contatto con il proprio fornitore e NON usare, assolutamente, l'apparecchio.
- Rimuovere il materiale d'imballaggio e l'eventuale pellicola protettiva.
- Pulire l'apparecchio con acqua tiepida ed un soffice panno.
- In mancanza d'altre indicazioni, mettere l'apparecchio in modo orizzontale.
- Lasciare ampio spazio libero intorno all'apparecchio.
- Posizionare l'apparecchio in modo da poter staccare in ogni momento la spina.
- Conservare l'imballaggio per un eventuale stoccaggio dell'apparecchio se non è utilizzato per un lungo periodo di tempo.

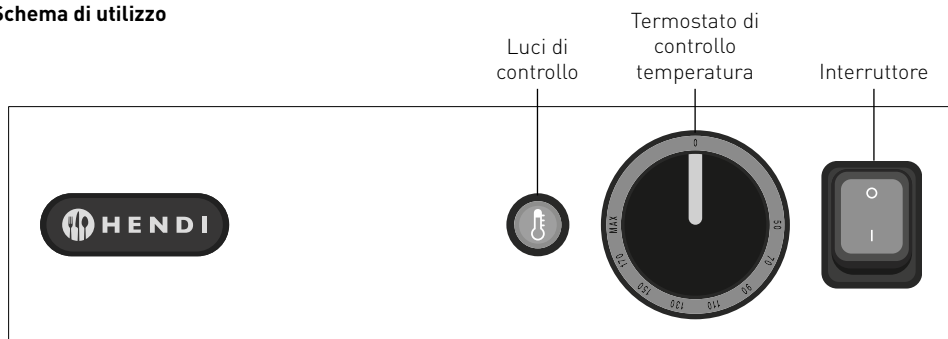
## Installazione

- L'apparecchio è dotato di piedini in gomma. L'apparecchio deve essere posizionato su una superficie piana, stabile, pulita e asciutta, resistente alle alte temperature.
- Attaccare con attenzione il supporto posteriore con l'elemento riscaldante sul retro del recipiente dell'olio.

Nota:

1. Assicurarsi che il perno sul supporto posteriore dell'apparecchio sia correttamente fissato.
2. Prima di iniziare i lavori, assicurarsi che il recipiente dell'olio e l'elemento riscaldante siano collocati in un luogo sicuro in cucina a causa dell'elevata temperatura dell'apparecchio durante il funzionamento.

## Schema di utilizzo



## Utilizzo del prodotto

**Attenzione:** Collegare l'apparecchio a due allacciamenti separati di 16 ampere

**Per una friggitrice doppia, bisogna utilizzare due allacciamenti separati.**

- Estrarre la spina dalla presa elettrica.
- Riempire la vasca con olio o grasso fino all'indicazione di livello massimo („MAX“).
- Nota! Il grasso solido deve essere riscaldato prima del riempimento, ciò evita di bruciare il grasso ed il sovraccarico (consultare "Grasso solido").
- Inserire la spina in una presa elettrica da provvista di messa a terra.
- Accendere l'apparecchio usando il bottone verde "on/off" sul pannello di funzionamento. La lampadina verde dell'interruttore lampeggia.
- Regolare la temperatura di cottura servendosi dell'apposito termostato. Verrà attivata la spia luminosa arancione.
- Una volta raggiunta la temperatura impostata, la spia luminosa arancione verrà
- Durante la frittura, la lampadina della temperatura lampeggia per indicare che la temperatura rimane quella indicata.
- Sarà quindi possibile iniziare le operazioni di frittura.

## Istruzioni per una corretta frittura

La friggitrice è munita di una speciale zona fredda, che permette di raccogliere sul fondo briciole ed eventuali residui. Ciò serve ad un più lungo riutilizzo di olio/grasso.

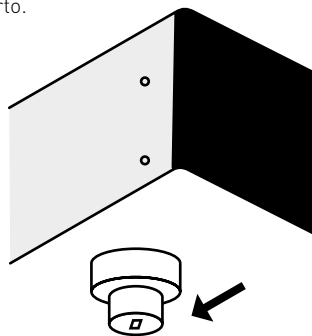
### Eseguire il reset del circuito di sovraccarico

Ricordarsi che il pulsante di RESET si trova nella parte inferiore del pannello di controllo staccabile ed è protetto da un tappo (vedere la figura).

- In primo luogo scollegare l'apparecchio dalla presa elettrica togliendo la spina.
- Lasciare raffreddare completamente l'apparecchio.
- Rimuovere il pannello di controllo rimovibile dal supporto.
- Togliere il tappo nero di protezione del pulsante RESET.
- Premere il pulsante RESET della circuito di sovraccarico. Si sente un clic.

Verificare regolarmente la presenza di una sufficiente quantità di olio o di grasso nella vasca. Il livello dell'olio o del grasso di cottura non deve mai scendere al di sotto dell'indicazione „MIN“.

- Avvitare il tappo nero di protezione del pulsante RESET.
- Rimontare il pannello di controllo rimovibile sul supporto.



### Consigli per la frittura ad immersione

- Utilizzare preferibilmente olio per friggere liquido o grasso.
- La temperatura raccomandata per friggere patatine e snack è di max. 175°.
- Rimuovere ghiaccio e molliche dai cibi congelati.
- Non friggere troppo ad immersione in una sola volta. Ciò può far sì che l'olio o il grasso si raffreddi troppo. L'olio/il grasso raffreddato non scotta a sufficienza la superficie del cibo, così che viene assorbito più grasso. Se usati in modo intensivo, è opportuno filtrare l'olio/il grasso da molliche e altri resti.

- Sostituire di tanto in tanto l'olio o il grasso. Utilizzare regolarmente strisce di carta o una strumentazione di misurazione per capire quando è opportuno sostituire l'olio/il grasso.
- Se l'olio o il grasso iniziano a fare schiuma, fumare o diventano troppo vischiosi è opportuno sostituirli. Sostituire l'olio/il grasso anche quando ha un odore o un gusto forte.
- Non mescolare mai olio fresco e olio usato.

### Grasso Solido

- Se contrariamente al nostro consiglio usate, comunque, grasso solido: riscaldate il grasso lentamente nella posizione più bassa fino a che si scioglie. Quando il grasso è sciolto, si può scegliere la temperatura di frittura adatta.
- Se usate grasso solido, sciogliere i blocchi di grasso lentamente, a temperatura moderata,

in un normale tegame per frittura. Versare con cura il grasso sciolto nella friggitrice. Solo allora inserite la presa nella corrente ed accendete la friggitrice.

- Dopo l'uso, rimuovete il cestello dal grasso. Con ciò si evita che il cestello si fissi nel grasso solidificato.



## Dopo l'utilizzo

- Spegnere l'apparecchio disinserendo la spina dalla presa di corrente.
- Rimuovere il cestello dall'olio o dal grasso di cottura. Ciò consente al cestello di non rimanere racchiuso nel grasso rappreso.
- Lasciate la friggitrice dove si trova fino che essa e il contenuto si siano raffreddati.
- Posizionare il coperchio sulla friggitrice per la migliore conservazione dell'olio o del grasso di cottura.

## Pulizia e manutenzione

- Staccare la spina prima d'ogni pulizia.
- Attenzione! Non immergere mai l'apparecchio in acqua od in altri liquidi.
- Pulire il contenitore con un panno bagnato (acqua con un blando detergente).
- Non usare mai agenti aggressivi per la pulizia, detersivi abrasivi od al cloro. Non usare oggetti appuntiti o aguzzi. Non usare benzina o solventi ! Pulire l'apparecchio con un panno umido od eventualmente, con un detersivo. Non usare materiali abrasivi.

## Identificazione e risoluzione dei problemi

Difetto	Descrizione	Possibili cause	Eventuale soluzione
L'apparecchio non funziona	La spia verde ed arancione sono spente	Il pannello di controllo e' stato posizionato sul supporto in modo scorretto	Posizionare il pannello di controllo sul supporto in modo corretto
		Mancata alimentazione dalla rete	Controllare l'impianto elettrico
		L'apparecchio e' spento	Accendere l'apparecchio
		Microinterruttore difettoso	Contattare il fornitore
L'apparecchio non si risalda e rimane freddo	La spia verde e' accesa, mentre la spia arancione e' spenta	Il termostato e' impostato ad una temperatura troppo bassa	Impostare il termostato ad una temperatura superiore
		Si e' avviato il circuito di sovraccarico il surriscaldamento	Resettare il circuito di sovraccarico il surriscaldamento (vedi pagina 31)
		Il circuito di sovraccarico il riscaldamento e' difettoso	Contattare il fornitore
		Termostato difettoso	Contattare il fornitore
L'apparecchio non raggiunge la temperatura desiderata	La spia verde ed arancione sono accese, mentre il tempo di frittura e' troppo lungo o la temperatura e' elevata	Termostato difettoso	Contattare il fornitore

Se dopo questo controllo il malfunzionamento continua, è consigliabile contattare il vostro fornitore per l'assistenza. In caso di dubbio, contattare sempre il vostro fornitore.

## Specifiche tecniche

Numero del prodotto	207208	209202	207307	209301
Tensione e frequenza	220-240V- 50/60Hz			
Consumo di energia	3500 W		2x3500 W	
Classe di protezione	Classe I			
Classe di resistenza all'acqua	IPX3			
Campo di temperature	50 - 190°C			
Temperatura ambiente	5 - 45°C			
Capacità	8 L		16 L	
Dimensioni dell'apparecchio (W x D x H)	305x460x (H)350mm	305x515x (H)350mm	605x460x (H)350mm	605x515x (H)350mm
Peso netto (circa)	8,1 kg	8,6 kg	20,5 kg	21,5 kg

**Nota: Le specifiche tecniche sono soggette a modifiche senza preavviso.**

### Garanzia

Qualsiasi difetto che influenza la funzionalità del dispositivo che compaia entro un anno dall'acquisto sarà corretto a titolo interamente gratuito o con la sostituzione del prodotto che è stato utilizzato e sottoposto a manutenzione corretta seguendo le istruzioni, senza alcuna violazione. I diritti legali del cliente non sono assolutamente modificati. Nel caso in cui l'intervento di manutenzione o sostitu-

zione sia previsto nel periodo di validità della garanzia, precisare dove e quando si è acquistato il prodotto, possibilmente allegando lo scontrino.

In linea con la nostra politica di sviluppo continuo dei prodotti, ci riserviamo il diritto di modificare il prodotto, l'imballo e le specifiche di documentazione, senza notifica alcuna.

### Smaltimento e protezione dell'ambiente

In caso di ritiro dell'apparecchiatura dal funzionamento il prodotto non può essere smaltito con altri rifiuti domestici. L'utente è responsabile della consegna dell'attrezzatura al punto di raccolta appropriato per l'attrezzatura usata. Il mancato rispetto delle disposizioni sopramenzionate può comportare l'imposizione di sanzioni in conformità con le normative vigenti in materia di smaltimento dei rifiuti. La raccolta e il riciclaggio selettivi di attrezzature usate contribuiscono alla conservazione delle risorse naturali e garantiscono il riciclaggio

in modo tale da non nuocere alla salute e all'ambiente.

Per ulteriori informazioni sui luoghi di smaltimento delle apparecchiature usate per il riciclaggio, contattare la società locale di raccolta dei rifiuti. Il produttore e l'importatore non sono responsabili per il riciclaggio e il trattamento dei rifiuti in modo ecologico, sia direttamente che nel quadro del sistema pubblico.



Stimate client,


Vă mulțumim pentru achiziționarea acestui aparat Hendi. Vă rugăm să citiți cu atenția acest manual înainte de a conecta aparatul pentru evitarea defectării ca urmare a utilizării incorecte. Acordați o atenție deosebită regulilor de siguranță.

## Reguli de siguranță

- Operarea incorectă și utilizarea necorespunzătoare a aparatului poate avaria grav aparatul și poate cauza răni oamenilor.
- Acest aparat este destinat numai pentru uz comercial.
- Aparatul poate fi folosit doar în scopul pentru care a fost proiectat. Producătorul nu este răspunzător pentru orice avariere cauzată operării incorecte și a utilizării necorespunzătoare.
- Asigurați-vă că aparatul și ștecherul nu intră în contact cu apă sau alte lichide. În cazul în care aparatul este scăpat în apă, scoateți imediat ștecherul din priză și un tehnician autorizat trebuie să-l verifice. Dacă nu respectați aceste instrucțiuni, acest lucru poate cauza situații care vă pot pune viața în pericol.
- Nu încercați să deschideți singuri carcasa aparatului.
- Nu introduceți nici un fel de obiecte în carcasa aparatului.
- Nu atingeți ștecherul cu mâinile ude sau umede.
- ⚡ **PERICOL DE ELECTROCUTARE!** Nu încercați să reparați singur/ă aparatul. În cazul unei defecțiuni, reparațiile vor fi efectuate întotdeauna numai de personal calificat.
- **Nu utilizați niciodată un aparat defect!** Deconectați aparatul de la priza electrică și contactați distribuitorul în cazul unei defecțiuni.
- **AVERTISMENT!** Nu scufundați părțile electrice ale aparatului în apă sau în alte lichide. Nu țineți niciodată aparatul sub jet de apă.
- Verificați în mod regulat ștecărul și cablul pentru a vă asigura că nu sunt deteriorate. În cazul în care ștecărul sau cablul de alimentare este deteriorat, acesta trebuie înlocuit de agentul de service sau de alt personal calificat similar pentru a evita orice pericol.
- Cablul nu trebuie să intre în contact cu obiecte ascuțite sau fierbinți și trebuie păstrat departe de foc. Pentru a scoate ștecărul din priză, trageți întotdeauna de ștecăr, nu de cablu.
- Asigurați-vă că nimeni nu poate trage din greșeală cablul (sau prelungitorul) și că nimeni nu se poate împiedica de el.
- Supravegheați întotdeauna aparatul atunci când este în funcțiune.
- **AVERTISMENT!** Atât timp cât ștecărul este în priză, aparatul este conectat la sursa de electricitate.
- Opriiți aparatul înainte de a scoate ștecărul din priză.
- Nu cărați niciodată aparatul ținându-l de cablu.
- Nu utilizați dispozitive suplimentare care nu sunt livrate împreună cu aparatul.
- Conectați aparatul doar la prize electrice cu intensitatea și frecvența electrice menționate pe eticheta aparatului.

- Conectați cablul de alimentare la o priză electrică ușor accesibilă, astfel încât aparatul să poată fi deconectat imediat în caz de urgență. Scoateți cablul de alimentare din priza electrică pentru a opri complet aparatul. Utilizați cablul de alimentare ca dispozitiv de deconectare.
- Opriți întotdeauna aparatul înainte de a deconecta cablul de alimentare.
- Nu utilizați niciodată accesorii care nu sunt recomandate de către producător. Acestea pot reprezenta un risc de siguranță pentru utilizator și pot deteriora aparatul. Utilizați numai piese și accesorii originale.
- Acest aparat nu trebuie folosit de copii sau persoane care au capacități mentale, senzoriale sau fizice reduse, sau lipsă de experiență și cunoștințe.
- Acest aparat nu trebuie utilizat sub nicio formă de către copii.
- Nu țineți produsul și cablurile sale la îndemâna copiilor.
- Copiii nu trebuie să se joace cu acest produs.
- Deconectați întotdeauna aparatul de la sursa de alimentare în cazul în care este lăsat nesupravegheat, precum și înainte de asamblare, dezasamblare sau curățare.
- Nu lăsați niciodată aparatul nesupravegheat pe parcursul utilizării.
- Schimbați regulat uleiul folosit pentru a reduce eliberarea de dioxine care sunt cancerigene, astfel preparatele vor fi sanatoase.

## Instrucțiuni speciale de siguranță

-  **ATENȚIE! SUPRAFAȚĂ FIERBINTE!** Temperatura suprafeței accesibile este foarte ridicată în timpul utilizării. Atingeți doar pictogramele de pe panoul de comandă.
- Dacă aparatul trebuie așezat în apropierea unui zid, perete despărțitor, mobilier de bucătărie, finisaje decorative etc., recomandăm ca acestea să fie făcute din materiale necombustibile; dacă nu, acestea trebuie învelite în materiale termoizolatoare, cu maximum de atenție la respectarea normelor de prevenire a incendiilor.
- Nu puneți aparatul pe un obiect de încălzire (aparat de gătit cu benzină, electric, cărbune etc.). Mențineți aparatul la distanță de orice suprafețe fierbinți și de flăcări deschise. Utilizați întotdeauna aparatul pe o suprafață orizontală, stabilă, curată, termorezistentă și uscată.
- Nu utilizați aparatul în apropierea materialelor explozibile sau inflamabile, cardurilor de credit, discurilor magnetice sau radiourilor.
- Acest aparat nu este construit spre a fi utilizat cu ajutorul unui cronometru extern sau al unui sistem de control separat.
- **AVERTISMENT:** Există pericol de foc dacă nivelul uleiului se află sub marcajul „L” (Min) sau dacă recipientul pentru ulei este gol.
- **AVERTISMENT:** Nu prăjiți alimente prea umede și prea multe alimente în același timp, pentru a evita spumarea excesivă și deversarea uleiului. Cantitatea maximă a unui lot este de aproximativ 1 kg.
- În timpul utilizării, lăsați cel puțin 20 cm în jurul aparatului ca spațiu de ventilație.



- Folosiți doar ulei sau untură adecvate pentru prăjit. Înlocuiți uleiul sau untura la intervale regulate. Uleiul sau untura prăjite excesiv sau murdare se pot aprinde dacă se supraîncălzesc.
- Nu utilizați tacâmuri din plastic în timpul funcționării.
- **PERICOL!** Nu folosiți niciodată ulei vechi deoarece uleiul vechi are un punct de aprindere mai scăzut și este mai susceptibil de a forma spumă, ceea ce crește riscul de incendiu și de apariție a situațiilor periculoase.
- **AVERTISMENT!** Alimentele excesiv de umede sau puse în cantitate prea mare în aparat influențează punctul de fierbere al uleiului.
- **AVERTISMENT!** Din motive de siguranță, nu este bine să puneți la prăjit cantități prea mari dintr-o dată (cantitatea maximă de încărcare este de aproximativ 2 kg).
- Curățați aparatul și celelalte accesorii după fiecare utilizare (-->Curățare și întreținere).
- Nu folosiți niciodată jeturi de apă, nu turnați apă direct peste aparat și nu curățați aparatul cu abur, deoarece piesele se vor uda, ceea ce ar duce la electrocutare.
- **ATENȚIE!** Așezați corespunzător cablul de alimentare, dacă este cazul, pentru a împiedica tragerea neintenționată sau contactul cu suprafața de încălzire.
- Nu spălați aparatul cu apă. La spălare se pot produce scurgeri, ceea ce va crește riscul de electrocutare.
- Nu curățați și nu depozitați aparatul decât după ce s-a răcit complet.
- Niciuna dintre piese nu este destinată spălării în mașina de spălat vase.
- Scoateți întotdeauna ștecherul din priză atunci când umpleți sau curățați friteuza.
- Instalația electrică trebuie să fie conformă cu reglementările aplicabile naționale și locale.
- Rezervorul friteuzei și elementul trebuie amplasate într-o poziție sigură în bucătăria dumneavoastră înainte de utilizare, din cauza conținutului fierbinte din timpul utilizării.

### Destinația produsului

- Acest aparat este destinat uzului profesional și poate fi utilizat numai de personal calificat.
- Acest aparat este destinat exclusiv prăjirea nu-mai a anumitor alimente cum ar fi cartofii prăjiți. Orice altă utilizare poate provoca avariarea aparatului sau accidentarea persoanelor.
- Utilizarea aparatului în orice alt scop reprezintă o utilizare incorectă. Utilizatorul este singurul răspunzător de orice utilizare incorectă a aparatului.

### Instalare împământare

Acest aparat este clasificat ca **clasa de protecție I** și trebuie conectat la un sol de protecție. Împământarea reduce riscul de șoc electric prin furnizarea unui cablu de evacuare pentru curentul

electric. Acest aparat este echipat cu un cablu de alimentare care are un fir de împământare și ștecher cu împământare. Ștecherul trebuie conectat la o priză instalată și împământată corespunzător.



## Pregătirea pentru prima sa utilizare

- Verificați ca aparatul să nu fie avariât. În cazul unor avarii, contactați imediat furnizorul dumneavoastră și NU utilizați aparatul.
- Scoateți ambalajul acestuia și folia de protecție (dacă este cazul).
- Curățați aparatul cu apă caldă și cu o cârpă moale.
- Poziționați aparatul pe o suprafață dreaptă și stabilă, cu excepția cazului în care se menționează altfel.
- Asigurați-vă că este destul loc în jurul aparatului pentru ventilație.
- Poziționați aparatul în așa fel încât accesul la priză să fie permis tot timpul.
- Păstrați ambalajul pentru a depozita aparatul atunci când nu este folosit o perioadă mai lungă de timp.

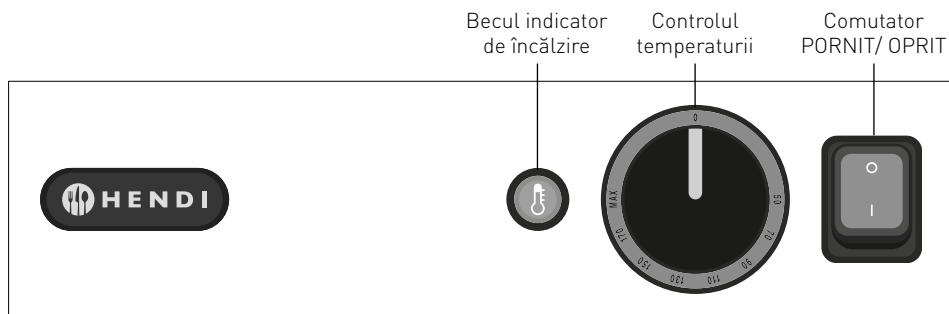
## Instalare

- Poziționați aparatul, cu piciorușele de susținere din cauciuc, pe o suprafață orizontală, stabilă, curată, termorezistentă și uscată.
- Instalați cu grijă suportul posterior cu element de încălzire pe muchia din spate a recipientului pentru ulei.

Notă:

1. Asigurați-vă că știftul de pe suportul posterior se află în poziție corectă și este montat corespunzător.
2. Aparatul trebuie amplasat într-o poziție sigură în bucătăria dumneavoastră înainte de utilizare, din cauza conținutului fierbinte din timpul utilizării.

## Panoul de Control



RO

## Utilizarea

**ATENȚIE : Conectați aparatul la o sursă separată de 16 amperi.**

**Pentru friteusa dubla, aveți nevoie de 2 surse separate.**

- Scoateți ștecherul din priză.
- Umpleți rezervorul cu ulei sau ulei hidrogenat până la indicatorul MAX. Notă! Pentru a evita arderea grăsimii și supraîncărcarea, grăsimea solidă trebuie preîncălzită înainte de a umple rezervorul. (Consultați rubrica „Grăsimi solide”)
- Introduceți ștecherul într-o priză de 230V legată la pământ.
- Porniți aparatul comutând întrerupătorul verde on/off [\*pornire/oprire] de pe panoul de control. Ledul verde se va aprinde.
- Reglați termostatul la temperatura dorită. Ledul portocaliu se va aprinde.
- În momentul în care uleiul sau grăsimea au ajuns la temperatura necesară, ledul portocaliu se va stinge.
- În timpul prăjirii, ledul indicator al temperaturii se va stinge și va arata dacă elementul de încălzire menține temperatura indicată.
- Aparatul este pregătit pentru a putea fi pus în funcțiune.



## Prepararea

Friteuza este proiectată cu un sistem de răcire unic, pentru a permite firimiturilor și resturilor să se depună în partea de jos, ceea ce prelungeste considerabil durata de utilizare a grăsimii.

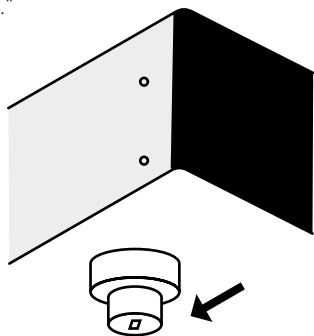
## RESETAȚI siguranța (întrerupere termică)

De observat că butonul RESET este situat în partea de jos a panoului de comandă detașabil și este acoperit cu un capac de protecție (vezi desenul)

- Mai întâi scoateți friteuza din priză.
- Lăsați friteuza să se răcească complet.
- Scoateți panoul de comandă detașabil din suport.
- Deșurubați capacul de protecție al butonului RESET.
- Apăsăți butonul RESET al siguranța (întrerupere termică). Trebuie să se audă un clic.
- Înșurubați la loc capacul de protecție pe butonul RESET.

Verificați periodic dacă rezervorul conține o cantitate suficientă de ulei sau grăsime. Nivelul nu trebuie să fie niciodată sub indicatorul MIN.

- Montați la loc în suport panoul de comandă detașabil.”



## Sfaturi pentru preparare

- Folosiți numai ulei lichid sau grăsime în stare lichidă.
- Temperatura recomandată pentru prăjirea chips-urilor și a gustărilor este de maxim 175°C.
- Îndepărtați gheața sau alte resturi ale alimentelor congelate.
- Nu prăjiți o cantitate prea mare odată. Acest lucru poate cauza răcirea excesivă a uleiului sau a grăsimii. În uleiul răcit/grăsimea întărită alimentele nu se prăjesc în profunzime, acestea rămânând uleioase. În cazul folosirii intensive, se vor filtra uleiurile/grăsimile pentru îndepărtarea firimiturilor sau a resturilor de alimente.

- Înlocuiți uleiul sau grăsimea la timp. Folosiți periodic benzi sau echipament de testare, pentru a ști când trebuie să schimbați uleiul/grăsimea.
- Înainte ca uleiul sau grăsimea să facă spumă sau devine închisă la culoare sau vâscoasă acesta trebuie schimbat. De asemenea, schimbați uleiul/grăsimea dacă are miros sau gust înțepător.
- A nu se amesteca uleiul curat cu uleiul utilizat în prealabil.

## Grăsimi solide

- În cazul în care, contrar recomandărilor noastre, folosiți grăsimi solide: încălziți grăsmimea solidă treptat, la cea mai mică temperatură, până ce aceasta se topește. Atunci când grăsimea este topită, puteți regla temperatura corespunzătoare pentru prăjire.

- La folosirea grăsimilor solide, permiteți bucăților de grăsime să se topească ușor, la temperatură moderată, într-o tigaie normală. Turnați cu grijă grăsimea topită în rezervorul pentru ulei al friteuzei. Introduceți ștecherul în priză și porniți aparatul.
- Înlăturați coșul de prăjire din grăsime după utilizare, în caz contrar, acesta se poate bloca în grăsimea întărită.

## După utilizare

- Opriți aparatul, apăsând butonul de oprire și scoțând ștecherul din priză.
- Nu mutați friteuza până ce conținutul acesteia nu s-a răcit.
- Așezați capacul pe aparat, pentru a prelungi durata de utilizare a grăsimii.

## Curățarea și întreținerea

- Scoateți întotdeauna ștecherul din priză înainte de curățare.
- Atenție! Nu introduceți niciodată aparatul în apă sau în orice alt lichid!
- Curățați aparatul cu o cârpă umedă (apă cu detergent ușor).
- Nu utilizați niciodată agenți de curățare abrazivi sau care conțin clor. Nu folosiți obiecte ascuțite sau contondente. Nu folosiți petrol sau solvenți! Curățați cu o cârpă umedă și detergent dacă este necesar. Nu folosiți materiale abrazive.

## Depanare

Defect	Simptome	Cauză posibilă	Soluție posibilă
Aparatul nu funcționează deloc	Ledul indicator verde și cel portocaliu pentru încălzire nu sunt aprinse	Panoul de comandă nu este așezat corect pe suport	Așezați corect panoul de comandă pe suport
		Aparatul nu este alimentat cu curent electric	Verificați instalația electrică
		Aparatul este oprit	Porniți aparatul
		Micro-comutatorul este defect	Contactați furnizorul dumneavoastră
Aparatul nu încălzește	Ledul indicator verde este aprins, iar cel portocaliu pentru încălzire nu este aprins	Termostatul este setat la o temperatură prea mică	Setați termostatul la o temperatură mai mare
		Siguranța (întrerupere termică) este declanșată	Resetați siguranța (întrerupere termică) (ref. pagina 36)
		Siguranța (întrerupere termică) este defectă	Contactați furnizorul dumneavoastră
		Termostatul este defect	Contactați furnizorul dumneavoastră
Aparatul nu atinge temperatura setată	Ledul indicator verde este aprins, cel portocaliu pentru încălzire este aprins, dar timpul de prăjire sau temperatura este prea mare	Termostatul este defect	Contactați furnizorul dumneavoastră

Dacă după aceste operații, defectul continuă, vă recomandăm să contactați asistența tehnică. În caz de neclarități, întotdeauna contactați producătorul!



## Specificația tehnică

Articol nr.	207208	209202	207307	209301
Tensiune și frecvență	220-240V- 50/60Hz			
Puterea nominală de intrare	3500 W		2x3500 W	
Clasa de protecție	Clasa I			
Clasa de protecție contra apei	IPX3			
Interval de temperatură	50 - 190°C			
Temperatură ambientală	5 - 45°C			
Cuprins	8 L		16 L	
Dimensiunile mașinii (W x D x H)	305x460x (H)350mm	305x515x (H)350mm	605x460x (H)350mm	605x515x (H)350mm
Greutate netă (aprox.)	8,1 kg	8,6 kg	20,5 kg	21,5 kg

**Observație:** Specificația tehnică poate fi modificată fără preaviz.

### Garanție

Orice defecțiune care afectează funcționarea aparatului apărută la mai puțin de un an de la cumpărarea acestuia va fi remediată prin reparație sau înlocuire gratuită, cu condiția ca aparatul să fi fost folosit și întreținut conform instrucțiunilor nu să nu fi fost bruscat sau folosit necorespunzător în vreun fel. Drepturile dumneavoastră legale nu sunt afec-

tate. Dacă aparatul este în garanție, menționați când și de unde a fost cumpărat și includeți dovada cumpărării (de ex. chitanța).

Conform politicii noastre de dezvoltare continuă a produsului, ne rezervăm dreptul de a modifica produsul, ambalajul și documentația fără notificare.

### Eliminarea și mediul înconjurător

La dezafectarea aparatului, produsul nu trebuie aruncat împreună cu alte deșeuri menajere. În schimb, este responsabilitatea dumneavoastră să eliminați echipamentul uzat prin predarea acestuia la un punct de colectare desemnat. Nerespectarea acestei reguli poate fi penalizată în conformitate cu reglementările aplicabile privind eliminarea deșeurilor. Colectarea separată și reciclarea echipamentului dumneavoastră uzat la momentul debarasării contribuie la conservarea resurselor naturale și asigură realizarea reciclării într-un mod care protejează sănătatea ființelor umane și a mediului.

Pentru informații suplimentare privind modul în care puteți preda deșeurile dumneavoastră în scopul reciclării, vă rugăm să contactați compania locală de colectare a deșeurilor. Producătorii și importatorii nu își asumă responsabilitatea cu privire la reciclarea, tratarea și eliminarea ecologică a deșeurilor, fie direct, fie prin intermediul unui sistem public.



Большое Вам спасибо за то, что Вы купили оборудование фирмы Hendi. Вам следует внимательно прочитать настоящую инструкцию пользователя во избежание повреждения машины в результате неправильной эксплуатации. Особенно рекомендуем ознакомиться с предупреждениями.

## Правила техники безопасности


- Неправильная эксплуатация и неподходящее использование агрегата может привести к его поломке и поранить оператора.
- Это оборудование предназначено только для коммерческого использования.
- Оборудование следует использовать точно по назначению. Производитель не несет ответственности за повреждения, вызванные неправильной эксплуатацией или неправильным обслуживанием оборудования.
- Оборудование и электрическую штепсельную вилку следует держать вдали от воды и прочих жидкостей. Если штепсельная вилка попадет в воду, ее следует тут же вытаскивать из розетки электропитания и обратиться в службу сертифицированного сервиса для проверки устройства. Несоблюдение данных указаний может повлечь за собой угрозу здоровью и жизни обслуживающего персонала.
- Нельзя снимать кожух без особого разрешения.
- Нельзя класть никаких посторонних предметов вовнутрь агрегата.
- Нельзя касаться мокрыми, или влажными руками штепсельной вилки.
- **⚠ ОПАСНОСТЬ ПОРАЖЕНИЯ ТОКОМ!** Не следует самостоятельно чинить электроаппаратуру. Любые поломки и неисправности должны устраняться квалифицированным персоналом.
- **Никогда не следует пользоваться поврежденной электроаппаратурой.** Поврежденное устройство нужно отсоединить от электросети и обратиться к продавцу.
- **ПРЕДУПРЕЖДЕНИЕ:** не следует погружать электрических деталей в воду, или иные жидкости. Не омыwać в струе воды.
- Регулярно проверять вилку и провод электропитания на предмет повреждений. Поврежденные вилку или провод передать для ремонта в сервисную точку, или обратиться к квалифицированному электрику во имя предотвращения опасности травм.
- Удостовериться, что провод электропитания не касается острых и горячих предметов; держать электропровод вдали от открытого огня. Для того, чтобы вынуть вилку из розетки всегда нужно тянуть за вилку, а не за электропровод.
- Защитить провод электропитания (удлинитель) от случайного выпадения из розетки. Электропровод прокладывать так, чтобы случайно не зацепиться за него.
- Непрестанно наблюдать за работающей электроаппаратурой.
- **ПРЕДУПРЕЖДЕНИЕ!** Если вилка находится в розетке – это означает, что электроаппаратура считается подключенной к электропитанию.
- Перед тем, как вынуть вилку из розетки, электроаппаратуру следует выключить!
- Никогда нельзя переносить, передвигать электроаппаратуру держа за электропровод.



- Не использовать никаких деталей, аксессуаров, которые не поставляются вместе с этой электроаппаратурой.
- Электроаппаратуру следует подключать исключительно к розетке, в которой имеется напряжение и частоту, указанную на щитке электроаппаратуры.
- Вилку следует вставлять в розетку, расположенную в удобном и легкодоступном месте, так чтобы в случае аварии можно бы ее немедленно вынуть. Для полного обесточивания электроаппаратуры ее следует отсоединить от электропитания; для этого следует вынуть вилку, находящуюся на конце провода электропитания, из розетки.
- Перед тем, как вынуть вилку всегда следует помнить о том, чтобы сначала выключить электроаппаратуру!
- Не следует использовать детали, аксессуары, не рекомендуемые производителем данной электроаппаратуры, т.к. использование таких деталей, аксессуаров может создать для пользователя угрозу его здоровью и жизни, а также может привести к поломке электроаппаратуры. Следует всего использовать оригинальные детали, аксессуары.
- Без надлежащего контроля или предварительного обучения эксплуатации оборудования проводимого лицом, отвечающим за безопасную эксплуатацию, оборудованием не могут пользоваться ни дети, ни лица с ограниченными физическими, или психическими возможностями, ни лица, которые не обладают необходимым опытом работы и знаниями в данной области.
- Ни в коем случае нельзя допускать к использованию электроаппаратуры детей.
- Электроаппаратуру следует хранить в месте недоступном для детей.
- Нельзя разрешать детям использовать электроаппаратуру в качестве игрушки.
- Всегда электроаппаратуру следует отсоединить от электропитания, если оставляем ее без надзора, перед монтажом, демонтажем и чисткой.
- Нельзя оставлять работающую электроаппаратуру без надзора.
- Регулярно меняйте старое масло, чтобы уменьшить выброс канцерогенных диоксинов.

RU

## Подробные указания по безопасности

-  **ОСТОРОЖНО! ГОРЯЧАЯ ПОВЕРХНОСТЬ!** Температура доступных поверхностей устройства во время использования очень высокая. Прикасайтесь только к кнопкам панели управления.
- Если устройство будет располагаться рядом со стенкой, перегородками, кухонной мебелью, декоративной отделкой и т.п., рекомендуется, чтобы они были покрыты невоспламеняющимися материалами; если это невозможно, накройте такие поверхности подходящим негорючим теплоизоляционным материалом и соблюдайте правила пожарной безопасности.
- Не размещайте устройство на объекте, который излучает тепло (газовая или электрическая плита, гриль и т.п.). Держите устройство подальше от любых горячих поверхностей или открытого пламени. Поместите устройство на ровную, стабильную, чистую и сухую поверхность, устойчивую к высоким температурам.



- Не используйте устройство вблизи взрывчатых или легковоспламеняющихся материалов, платежных карт, магнитных дисков или радиоприемников.
- Устройство не приспособлено для управления с помощью внешнего таймера или отдельной системы дистанционного управления.
- **ПРЕДУПРЕЖДЕНИЕ:** Если уровень масла в контейнере ниже отметки L (минимальный уровень) или если контейнер пуст, существует опасность пожара.
- **ПРЕДУПРЕЖДЕНИЕ:** Не обжаривайте пищевые продукты, содержащие много воды, чтобы предотвратить вспенивание и разбрызгивание масла. В жарочной ванне можно поместить максимально 1 кг пищевых продуктов.
- Обеспечьте по крайней мере 20-сантиметровое пространство вокруг устройства, чтобы обеспечить достаточную вентиляцию во время использования.
- Используйте только масло, предназначенное для жарки. Регулярно меняйте масло или жир в контейнере. Старое или грязное масло может загореться при нагревании до слишком высокой температуры.
- Не используйте пластиковые столовые приборы во время работы устройства.
- **ОПАСНОСТЬ!** Никогда не используйте старое масло, потому что оно имеет более низкую температуру вспышки и более восприимчиво к внезапному кипению, что увеличивает риск пожара или опасной ситуации.
- **ПРЕДУПРЕЖДЕНИЕ!** Размещение пищи со слишком высоким содержанием воды или в слишком большом количестве влияет на скорость достижения температуры кипения масла.
- **ПРЕДУПРЕЖДЕНИЕ!** По соображениям безопасности, никогда во время жарки не вставляйте слишком большой порции пищи (максимальная партия – это прим. 2 кг).
- Устройство и его аксессуары мойте после каждого использования (-->Очистка и обслуживание)
- Не мойте устройство с помощью струи воды под давлением или пароочистителя, не промывайте устройство водой, так как это может привести к увлажнению или проникновению воды во внутренние части устройства, что приведет к поражению электрическим током.
- **ВНИМАНИЕ!** Правильно подключите и закрепите шнур питания для предотвращения случайного вытягивания или контакта с нагретой поверхностью.
- Не мойте устройство водой. Мытье устройства может привести к попаданию воды в электрические детали и привести к поражению электрическим током.
- Не чистите и не помещайте устройство в место хранения, пока оно полностью не остынет.
- Детали устройства нельзя мыть в посудомоечной машине.
- Перед чисткой или заполнением устройства выньте вилку из розетки.
- Электроустановка должна соответствовать соответствующим национальным и местным требованиям.
- Убедитесь, что контейнер для масла и нагревательный элемент помещены в безопасное место на кухне из-за высокой температуры устройства во время работы.



---

## Назначение устройства

- Это оборудование предназначено для профессионального использования и может эксплуатироваться только квалифицированным персоналом.
- Устройство предназначено для коммерческого использования и используется для жарки определенных продуктов, в том числе картофеля фри и т. п. Использование устройства для любых других целей может привести к повреждению или травме тела.
- Использование устройства для любых других целей будет рассматриваться, как использование не по назначению. Пользователь будет нести исключительную ответственность за неправильное использование устройства.

---

## Установка заземления

Этот прибор относится к **классу защиты I** и должен быть подключен к защитному грунту. Заземление снижает риск поражения электрическим током, обеспечивая выход провода для электрического тока. Этот прибор оснащен шнуром пи-

тания с заземляющим проводом и заземленной штепсельной вилкой. Вилка должна быть подключена к розетке, которая правильно установлена и заземлена.

---

## Подготовка перед первым использованием

- Убедитесь, что устройство не повреждено. В случае возникновения каких-либо повреждений, немедленно обратитесь к поставщику и НЕ используйте устройство.
- Снимите упаковку и защитную пленку (если имеются).
- Очистите устройство теплой водой и мягкой тканью.
- Если не указано иное, установите устройство на ровную и устойчивую поверхность.
- Обеспечьте достаточное пространство вокруг устройства для обеспечения его вентиляции.
- Установите устройство так, чтобы всегда иметь хороший доступ к вилке.
- Сохраните упаковку для хранения устройства, если оно не используется в течение длительного периода времени.

---

## Установка

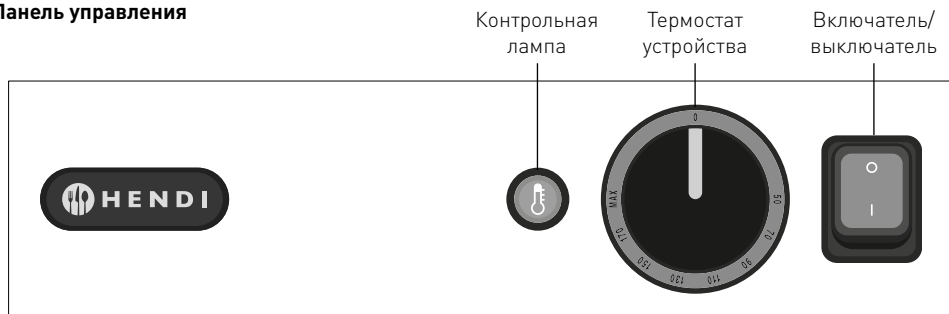
- Устройство оснащено резиновыми ножками. Устройство должно быть размещено на ровной, стабильной, чистой и сухой поверхности, устойчивой к высоким температурам.
- Осторожно прикрепите задний опорный кронштейн устройства с нагревательным элементом на задней части контейнера для масла

Примечание:

1. Убедитесь, что штифт на задней панели устройства надежно закреплен.
2. Перед началом работы убедитесь, что контейнер для масла и нагревательный элемент установлены в кухне в надежном месте из-за высокой температуры устройства во время работы.



## Панель управления



## Использование

**Примечание:** Устройство должно быть подключено к отдельному гнезду на 16 ампер.

**В случае двойной фритюрицы требуется два отдельных разъема.**

- Вытяните вилку из розетки.
- Заполните емкость маслом или жиром до линии с надписью MAX. Внимание! В случае использования твердого жира, прежде чем поместить его в емкость, нужно его подогреть – благодаря этому можно избежать подгорания жира и перегрузки устройства (См. часть: «Твердый жир»).
- Вставьте заземленную вилку в заземленную розетку.
- Включите устройство с помощью зеленой кнопки питания на панели управления. Засветится зеленая лампочка.
- С помощью термостата, выберите нужную температуру. Засветится оранжевая лампочка.
- При достижении заданной температуры, оранжевая лампочка гаснет.
- Во время жарки во фритюре лампочка температуры будет гаснуть и загораться снова, указывая, что нагреватель поддерживает заданную температуру.
- Можете начинать жарить.

## Жаренье во фритюре

Фритюрница оснащена уникальной системой «холодной зоны», которая позволяет отпадать крошкам и остаткам по жарке на дно емкости, что позволяет значительно повысить эффективность жира/масла.

Регулярно проверяйте достаточно ли масла или жира в емкости. Уровень жира никогда не может быть ниже уровня, отмеченного как MIN.

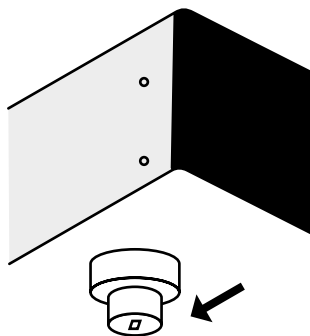
RU



## СБРОС ограничителя (термовыключателя)

Обратите внимание, что кнопка RESET, расположена в нижней части съемной панели управления и защищена колпачком (смотрите на рисунок).

- Сначала, отключите устройство от источника питания, вынимая вилку из розетки.
- Оставьте устройство до полного охлаждения.
- Отсоедините съемную панель управления от подставки.
- Открутите чёрный защитный колпачок кнопки RESET.
- Нажмите кнопку RESET ограничителя (термовыключателя). Услышите щелчок.
- Прикрутите заново чёрный защитный колпачок кнопки RESET.



- Установите заново съемную панель управления на подставке.

## Советы для жарения во фритюре

- Используйте жидкое масло или жир для жарки. Рекомендуемая температура для жарения картофеля фри и закусок составляет максимум 175°C.
- Удаляйте лед и крошки из замороженных продуктов.
- Не жарить во фритюре слишком большие порции. Это может привести к падению температуры масла или жира. Охлажденное масло/жир не обжарит соответственно поверхность, что приводит к увеличению поглощения жира. В случае интенсивного использования нужно фильтровать крошки и отработанное масло/жир.

- В соответствующее время, нужно менять масло или жир в устройстве. Чтобы узнать, когда менять масло/жир, регулярно используйте тест-полоски или устройство для тестирования.
- Если масло или жир начинает пениться, дымить или становится слишком липким, нужно поменять масло или жир. Замените масло/жир, когда имеет резкий запах или вкус.
- Не следует смешивать свежее масло с использованным.

## Твердый жир

- Если вы используете твердый жир, несмотря на рекомендации: медленно нагревайте жир до растопления. После растопления жира, можете установить желаемую температуру жарения.
- Если вы используете твердый жир подождите, когда куски жира медленно начнут таять на

обычной сковороде, на среднем огне. Аккуратно перелейте растопленный жир во фритюрницу. Вставьте вилку и включите фритюрницу.

- После использования снимите корзину для фритюра. В результате, корзина не застынет в загущенном жире.

## После использования

- Выключите устройство, и отсоедините кабель от розетки.
- Выньте корзину из емкости с маслом. В результате, корзина не застынет в загущенном жире.

- Накройте фритюрницу крышкой, для предотвращения старения масла.

## Чистка и обслуживание

- Перед чисткой всегда отключайте устройство от электросети.
  - Примечание: Помните, что устройство нельзя погружать в воду или любую другую жидкость!
  - Очистите снаружи ткань используйте раствор воды и мягкого моющего средства).
- Никогда не используйте абразивные чистящие средства или абразивные материалы. Не используйте острые или остро заточенные предметы. Не используйте бензин или растворители! Протирайте влажной тканью или жидкостью для мытья посуды. Не используйте абразивные материалы.

## Поиск и устранение неисправностей

Неисправность	Признак	Причина	Возможное решение
Устройство не работает	Не горит зеленая лампочка, не горит оранжевая лампочка	Панель управления неправильно установлена на подставке	Правильно установите панель управления на подставке
		Отсутствие электропитания	Проверьте электрическую установку
		Устройство выключено	Включите устройство
		Поврежден микровыключатель	Свяжитесь с поставщиком
Устройство не нагревается	Горит зеленая лампочка, не горит оранжевая лампочка	Термостат установлен на слишком низкую температуру	Установите термостат на более высокую температуру
		Включилась система ограничителя (термовыключателя)	Сброс ограничителя (термовыключателя) (См. Стр. 42)
		Авария системы ограничителя (термовыключателя)	Свяжитесь с поставщиком
		Авария термостата	Свяжитесь с поставщиком
Устройство не достигает желаемой температуры	Горит зеленая лампочка, горит оранжевая лампочка, но время приготовления слишком долго или слишком высокая температура	Авария термостата	Свяжитесь с поставщиком

Если после вышеперечисленных проверок неисправность не устранена, рекомендуем обратиться к поставщику.

В случае сомнений, всегда обращайтесь к своему поставщику!

RU



## Технические характеристики

Номер продукта	207208	209202	207307	209301
Рабочее напряжение и частота	220-240В~ 50/60Гц			
Потребляемая мощность	3500 Вт		2x3500 Вт	
Степень защиты	I Класс			
Класс влагозащиты	IPX3			
Диапазон температуры	50 - 190°C			
Наружная температура	5 - 45°C			
Вместимость	8 L		16 L	
Размеры устройства (W x D x H)	305x460x (H)350мм	305x515x (H)350мм	605x460x (H)350мм	605x515x (H)350мм
Вес нетто (приб.)	8,1 кг	8,6 кг	20,5 кг	21,5 кг

**Замечания: Технические характеристики могут быть изменены без предварительного уведомления.**

## Гарантия

Любая неполадка или поломка, которая влечет за собой неправильную работу устройства, которая будет выявлена в течение первого года от даты покупки, будет устранена бесплатно, или же все устройство будет заменено новым, если оно эксплуатировалось и обслуживалось согласно инструкции по обслуживанию и не использовалось неправильно, или в разрез с назначением. Данное положение ни в коей мере не нарушает иных прав потребителя, изложенных в законо-

дательстве. В случае заявления устройства в ремонт или на замену в рамках гарантии, следует указать место и дату покупки устройства и приложить счет, или чековую квитанцию.

Согласно нашей политике совершенствования наших продуктов оставляем за собой право на внос изменений в конструкцию, упаковку и в технические параметры, указываемые в технической документации без предупреждения.

## Утилизация и защита окружающей среды

В случае вывода оборудования из эксплуатации, продукт нельзя утилизировать вместе с другими бытовыми отходами. Пользователь несет ответственность за передачу оборудования в соответствующий пункт приема техники бывшей в употреблении. Несоблюдение вышеуказанного положения может привести к наложению штрафов в соответствии с действующими правилами в отношении утилизации отходов. Селективный сбор и утилизация использованного оборудования способствуют сохранению природных ресурсов и обеспечивают рециркуляцию таким

образом, который не вреден для здоровья и окружающей среды.


Для получения дополнительной информации о том, где можно отдать использованное оборудование для утилизации, обратитесь в местную компанию по сбору отходов. Производитель и импортер не несут ответственности за рециркуляцию и переработку отходов экологически безопасным способом, как непосредственно, так и в рамках государственной системы.



Αγαπητέ πελάτη,

Ευχαριστούμε που αγοράσατε αυτό το προϊόν HENDI. Διαβάστε προσεκτικά το παρόν εγχειρίδιο πριν συνδέσετε τη συσκευή, προκειμένου να προλάβετε πιθανή βλάβη που μπορεί να οφείλεται σε λαν- θασμένη χρήση. Διαβάστε ιδίως τους κανονισμούς ασφαλείας πολύ προσεκτικά.

## Κανονισμοί ασφαλείας


- Η συσκευή προορίζεται μόνο για επαγγελματική χρήση.
- Η συσκευή πρέπει να χρησιμοποιείται μόνο για τον σκοπό για τον οποίο προορίζεται και σχεδιάστηκε. Ο κατασκευαστής δεν ευθύνεται για τυχόν ζημιές που προκλήθηκαν από εσφαλμένη λειτουργία και ακατάλληλη χρήση.
- Κρατήστε τη συσκευή και το βύσμα μακριά από νερό και άλλα υγρά. Σε περίπτωση που η συσκευή πέσει μέσα σε νερό, αφαιρέστε αμέσως το βύσμα από την πρίζα και μην τη χρησιμοποιήσετε μέχρι να ελεγχθεί η συσκευή από πιστοποιημένο τεχνικό. Η μη τήρηση των οδηγιών ενδέχεται να προκαλέσει κίνδυνο προς τη ζωή.
- Μην επιχειρήσετε ποτέ να ανοίξετε μόνοι σας το περίβλημα της συσκευής.
- Μην τοποθετείτε αντικείμενα στο περίβλημα της συσκευής.
- Μην αγγίζετε το βύσμα με υγρά χέρια.
-  **ΚΙΝΔΥΝΟΣ ΗΛΕΚΤΡΟΠΛΗΞΙΑΣ!** Μην επιχειρήσετε να επισκευάσετε μόνοι σας τη συσκευή. Σε περίπτωση δυσλειτουργίας, οι επισκευές πρέπει να διενεργούνται μόνο από εξειδικευμένο προσωπικό.
- **Μην χρησιμοποιείτε ποτέ συσκευή με βλάβη!** Σε περίπτωση βλάβης, αποσυνδέστε τη συσκευή από την πρίζα και επικοινωνήστε με τον πωλητή.
- **ΠΡΟΕΙΔΟΠΟΙΗΣΗ!** Μην βυθίζετε τα ηλεκτρικά μέρη της συσκευής σε νερό ή άλλα υγρά. Μην βάζετε ποτέ τη συσκευή κάτω από τρεχούμενο νερό.
- Ελέγχετε τακτικά το βύσμα και το καλώδιο τροφοδοσίας για τυχόν ζημιές. Εάν το βύσμα ή το καλώδιο τροφοδοσίας είναι κατεστραμμένο, πρέπει να αντικατασταθεί από τεχνικό σέρβις ή εξειδικευμένα άτομα για την αποφυγή τυχόν κινδύνου ή τραυματισμού.
- Βεβαιωθείτε ότι το καλώδιο δεν έρχεται σε επαφή με αιχμηρά ή θερμά αντικείμενα και κρατήστε το μακριά από φωτιά. Για να βγάλετε το βύσμα από την πρίζα, να τραβάτε πάντα το βύσμα και όχι το καλώδιο.
- Βεβαιωθείτε ότι το καλώδιο (ή το καλώδιο επέκτασης) είναι τοποθετημένο έτσι ώστε να μην προκαλέσει κίνδυνο εκτροπής.
- Να προσέχετε πάντα τη συσκευή κατά τη χρήση.
- **ΠΡΟΕΙΔΟΠΟΙΗΣΗ!** Όσο το βύσμα είναι στην πρίζα, η συσκευή είναι συνδεδεμένη στην πηγή τροφοδοσίας.
- Απενεργοποιήστε τη συσκευή πριν τραβήξετε το βύσμα από την πρίζα.
- Ποτέ μην μεταφέρετε τη συσκευή από το καλώδιο.
- Μην χρησιμοποιείτε συσκευές που δεν παρέχονται μαζί με τη συσκευή.
- Συνδέστε τη συσκευή μόνο σε ηλεκτρική πρίζα με τάση και συχνότητα που αναφέρονται στην ετικέτα της συσκευής.

GR



- Συνδέστε το βύσμα σε μια εύκολα προσβάσιμη ηλεκτρική πρίζα έτσι ώστε σε περίπτωση έκτακτης ανάγκης η συσκευή να μπορεί να αποσυνδεθεί αμέσως. Για να απενεργοποιήσετε πλήρως τη συσκευή, βγάλτε το βύσμα από την πρίζα.
- Απενεργοποιείτε πάντα τη συσκευή πριν αποσυνδέσετε το βύσμα.
- Μην χρησιμοποιείτε ποτέ εξαρτήματα διαφορετικά από αυτά που συνιστώνται από τον κατασκευαστή. Σε αντίθετη περίπτωση, μπορεί να δημιουργηθεί κίνδυνος για τον χρήστη και να προκληθεί ζημιά στη συσκευή. Χρησιμοποιείτε μόνο αυθεντικά εξαρτήματα και αξεσουάρ.
- Αυτή η συσκευή δεν προορίζεται για χρήση από άτομα (συμπεριλαμβανομένων παιδιών) με μειωμένες σωματικές, αισθητήριες ή διανοητικές ικανότητες ή με έλλειψη πείρας και γνώσης.
- Αυτή η συσκευή δεν πρέπει, σε καμία περίπτωση, να χρησιμοποιείται από παιδιά.
- Κρατήστε τη συσκευή και το καλώδιο μακριά από παιδιά.
- Να αποσυνδέετε πάντα τη συσκευή από το ρεύμα εάν αφήνεται χωρίς επιτήρηση ή δεν χρησιμοποιείται και πριν από εργασίες συναρμολόγησης, αποσυναρμολόγησης ή καθαρισμού.
- Μην αφήνετε ποτέ τη συσκευή χωρίς επιτήρηση ενώ βρίσκεται σε λειτουργία.
- Αλλάζετε τακτικά το παλιό λάδι για να μειώσετε την απελευθέρωση διοξινών που είναι καρκινογόνες.

## Ειδικές προφυλάξεις ασφαλείας

-  **ΠΡΟΣΟΧΗ! ΚΑΥΤΗ ΕΠΙΦΑΝΕΙΑ!** Η θερμοκρασία της εξωτερικής επιφάνειας είναι υψηλή κατά τη λειτουργία της συσκευής. Αγγίζετε μόνο τα εικονίδια στον πίνακα ελέγχου.
- Όταν η συσκευή τοποθετηθεί κοντά σε τοίχο, χωρίσματα, έπιπλα κουζίνας, διακοσμητικά φινιρίσματα κλπ, προτείνεται τα αντικείμενα αυτά να μην είναι κατασκευασμένα από εύφλεκτα υλικά. Διαφορετικά, θα πρέπει να επενδυθούν με κατάλληλο μη εύφλεκτο θερμομονωτικό υλικό και να τηρούνται αυστηρά οι κανονισμοί πυροπροστασίας.
- Μην τοποθετείτε τη συσκευή επάνω σε αντικείμενα θέρμανσης (βενζίνης, ηλεκτρικό, φούρνο με κάρβουνα κλπ). Διατηρείτε τη συσκευή μακριά από θερμές επιφάνειες και ανοικτές φλόγες. Χρησιμοποιείτε πάντα τη συσκευή σε επίπεδη, σταθερή, καθαρή, στεγνή και ανθεκτική στη θερμότητα επιφάνεια.
- Μην χρησιμοποιείτε τη συσκευή κοντά σε εκρηκτικά ή εύφλεκτα υλικά, πιστωτικές κάρτες, μαγνητικούς δίσκους ή ραδιόφωνα.
- Η συσκευή δεν προορίζεται για λειτουργία μέσω εξωτερικού χρονοδιακόπτη ή ξεχωριστού συστήματος τηλεχειρισμού.
- **ΠΡΟΕΙΔΟΠΟΙΗΣΗ:** Υπάρχει κίνδυνος πυρκαγιάς αν η στάθμη του λαδιού είναι κάτω από την ένδειξη "L" (ελάχιστη στάθμη) ή εάν δεν υπάρχει καθόλου λάδι στον κάδο λαδιού.
- **ΠΡΟΕΙΔΟΠΟΙΗΣΗ:** Μην τηγανίζετε υπερβολικά υγρά υλικά ή μεγάλη ποσότητα υλικών ταυτόχρονα, για να αποφύγετε τυχόν φούσκωμα και υπερχειλίση του λαδιού. Το μέγιστο φορτίο δεν θα πρέπει να υπερβαίνει κατά πολύ το 1 κιλό.
- Αφήστε τουλάχιστον 20 cm ελεύθερο χώρο γύρω από τη συσκευή για λόγους αερισμού κατά τη χρήση.

- Χρησιμοποιείτε μόνο κατάλληλο για το τηγάνισμα λάδι ή λίπος. Αντικαταστήστε το λάδι ή το λίπος ανά τακτά χρονικά διαστήματα. Εάν το λάδι ή το λίπος έχει χρησιμοποιηθεί πολύ, μπορεί να αναφλεγεί αν υπερθερμανθεί.”
- Μην βυθίζετε πλαστικά σκεύη μέσα στο ζεστό λάδι ή λίπος.
- **ΚΙΝΔΥΝΟΣ!** Μην ξαναχρησιμοποιείτε πολλές φορές το ίδιο λάδι, καθώς έχει μειωμένο σημείο ανάφλεξης και είναι περισσότερο επιρρεπές να φουσκώσει, αυξάνοντας τον κίνδυνο φωτιάς και επικίνδυνων καταστάσεων.
- **ΠΡΟΕΙΔΟΠΟΙΗΣΗ!** Το τηγάνισμα τροφών με υγρασία και σε μεγάλη ποσότητα μονομιάς έχει αρνητική επίδραση στο σημείο βρασμού του λαδιού.
- **ΠΡΟΕΙΔΟΠΟΙΗΣΗ!** Μην τηγανίζετε μεγάλη ποσότητα φαγητού μονομιάς, μέγιστο φορτίο είναι περίπου 2 κιλά.
- Να καθαρίζετε πάντα τη συσκευή και τα λοιπά εξαρτήματα μετά από κάθε χρήση (-> Καθαρισμός και συντήρηση)
- Μην χρησιμοποιείτε πίδακες νερού και μην ξεπλένετε άμεσα με νερό ή συσκευές καθαρισμού με ατμό, καθώς τα εξαρτήματα θα βραχούν και μπορεί να προκληθεί ηλεκτροπληξία.
- **ΠΡΟΣΟΧΗ!** Στερεώστε, εάν είναι απαραίτητο, το καλώδιο τροφοδοσίας για να αποφύγετε τυχόν ακούσιο τράβηγμα ή επαφή με την επιφάνεια θέρμανσης.
- Μην πλένετε τη συσκευή με νερό. Το πλύσιμο μπορεί να προκαλέσει διαρροές και να αυξήσει τον κίνδυνο ηλεκτροπληξίας.
- Μην καθαρίζετε ή αποθηκεύετε τη συσκευή εάν δεν έχει κρυώσει πλήρως.
- Κανένα μέρος της συσκευής δεν είναι κατάλληλο για πλυντήριο πιάτων.
- Πριν από την πλήρωση ή τον καθαρισμό της φριτέζας, βγάzte πάντα το βύσμα από την πρίζα.
- Η ηλεκτρική εγκατάσταση πρέπει να συμμορφώνεται με τους ισχύοντες εθνικούς και τοπικούς κανονισμούς.
- Η φριτέζα πρέπει να τοποθετηθεί σε ασφαλή θέση στην κουζίνα σας πριν από την χρήση της λόγω του καυτού περιεχομένου κατά τη χρήση.

### Προβλεπόμενη χρήση

- Η συσκευή ενδείκνυται για επαγγελματική χρήση και μπορεί να την χειρίζεται μόνο εξειδικευμένο προσωπικό.
- Η συσκευή έχει σχεδιαστεί μόνο για τηγάνισμα τροφίμων όπως τηγανιτές πατάτες κ.λπ. Οποιαδήποτε άλλη χρήση μπορεί να προκαλέσει ζημιά στη συσκευή ή τραυματισμό.
- Η χρήση της συσκευής για οποιονδήποτε άλλο σκοπό θεωρείται εσφαλμένη. Ο χρήστης είναι αποκλειστικά υπεύθυνος για την μη κατάλληλη χρήση της συσκευής.

### Εγκατάσταση γείωσης

Η συσκευή αυτή ταξινομείται ως **κατηγορία προστασίας I** και πρέπει να συνδέεται με προστατευτικό έδαφος. Η γείωση μειώνει τον κίνδυνο ηλεκτροπληξίας παρέχοντας ένα καλώδιο διαφυγής για το ηλεκτρικό ρεύμα. Αυτή η συσκευή είναι εφοδιασμένη με

καλώδιο τροφοδοσίας που διαθέτει καλώδιο γείωσης και γειωμένο βύσμα. Το βύσμα πρέπει να συνδεθεί σε μια πρίζα που είναι σωστά εγκατεστημένη και γειωμένη.



## Προετοιμασίες πριν την αρχική χρήση

- Ελέγξτε τη συσκευή και βεβαιωθείτε ότι δεν έχει υποστεί βλάβη. Σε περίπτωση οποιασδήποτε βλάβης, επικοινωνήστε με τον προμηθευτή σας αμέσως και ΜΗΝ χρησιμοποιήσετε τη συσκευή.
- Αφαιρέστε όλα τα υλικά συσκευασίας και την προστατευτική μεμβράνη (εάν υπάρχει).
- Καθαρίστε τη συσκευή με χλιαρό νερό και ένα μαλακό πανί.
- Τοποθετήστε τη συσκευή σε επίπεδη και σταθερή επιφάνεια, εκτός και αν ορίζεται διαφορετικά.
- Βεβαιωθείτε ότι υπάρχει αρκετός κενός χώρος γύρω από τη συσκευή για λόγους αερισμού.
- Τοποθετήστε τη συσκευή με τέτοιο τρόπο ούτως ώστε να υπάρχει πρόσβαση στο φινις ανά πάσα στιγμή.
- Διατηρήστε τη συσκευασία για να φυλάσσετε τη συσκευή όταν δεν πρόκειται να τη χρησιμοποιήσετε για μεγάλο διάστημα.

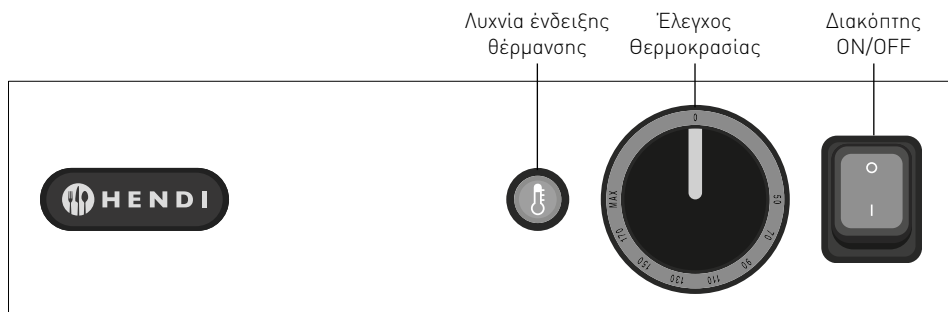
## Τοποθέτηση

- Τοποθετήστε τη συσκευή σε μία επίπεδη, σταθερή, καθαρή, στεγνή και ανθεκτική στη θερμότητα επιφάνεια.
- Τοποθετήστε προσεκτικά το πίσω στήριγμα με το θερμικό στοιχείο στο πίσω μέρος του κάδου λαδιού.

Σημείωση:

1. Βεβαιωθείτε ότι ο πείρος στο πίσω στήριγμα έχει τοποθετηθεί σωστά.
2. Η συσκευή πρέπει να τοποθετείται σε ασφαλή θέση στην κουζίνα σας πριν τη χρήση, λόγω της αυξημένης θερμοκρασίας που αναπτύσσεται κατά τη χρήση.

## Πίνακας Ελέγχου



## Χρήση

**Προσοχή:** Συνδέστε τη συσκευή σε χωριστή ομάδα των 16 ampere

Για διπλή φριτέζα για βαθύ τηγάνισμα, χρειάζεστε 2 χωριστές ομάδες.

- Βγάλτε το φινις από την πρίζα.
- Γεμίστε το δοχείο με λάδι ή υδρογονωμένο λίπος μέχρι τη γραμμή ένδειξης MAX. Σημείωση! Τα στερεά λίπη πρέπει να προθερμαίνονται πριν το γέμισμα, έτσι αποφεύγεται το καμένο λίπος και η υπερφόρτωση (βλέπε Στερεό λίπος“)
- Βάλτε το γεωμένο φινις σε μια πρίζα με γείωση.
- Απενεργοποιήστε τη συσκευή χρησιμοποιώντας το κουμπί on/off στον πίνακα χειρισμού. Η πράσινη λυχνία στο διακόπτη θα ανάψει.
- Ρυθμίστε το θερμοστάτη στην επιθυμητή θερμοκρασία. Η πορτοκαλί λυχνία θα ανάψει.
- Όταν η θερμοκρασία φτάσει στην τιμή της ρύθμισης, η πορτοκαλί λυχνία σβήνει.
- Κατά το βαθύ τηγάνισμα η λυχνία θερμοκρασίας θα αναβοσβήνει για να δείξει ότι η αντίσταση διατηρεί τη θερμοκρασία της ένδειξης.
- Τώρα μπορείτε να χρησιμοποιήσετε τη φριτέζα για βαθύ τηγάνισμα.



## Βαθύ τηγάνισμα

Η φριτέζα για βαθύ τηγάνισμα έχει σχεδιαστεί με μια μοναδική κρύα ζώνη, η οποία επιτρέπει στα ψίχουλα και στα υπολείμματα να βυθίζονται στον πυθμένα. Αυτό βοηθάει, επίσης, στην επέκταση της διάρκειας ζωής τους λίπους/λαδιού, σημαντικά.

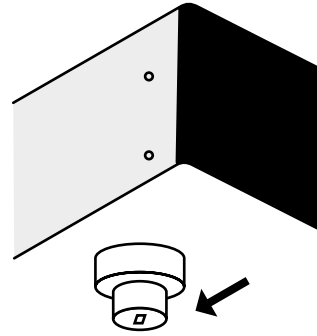
Ελέγχετε τακτικά εάν υπάρχει επαρκής ποσότητα λαδιού ή λίπους στο δοχείο. Η στάθμη του δεν πρέπει ποτέ να πέφτει κάτω από τη γραμμή MIN (ελάχιστο).

## ΕΠΑΝΑΦΟΡΑ της διάταξης περιορισμού (θερμική διακοπή)

Υπενθυμίζεται ότι το κουμπί ΕΠΑΝΑΦΟΡΑ βρίσκεται στη βάση του αποσπώμενου πίνακα ελέγχου, με προστατευτικό κάλυμμα (βλ. σχέδιο)

- Αποσυνδέστε πρώτα τη φριτέζα από την πρίζα.
- Αφήστε τη φριτέζα να κρυώσει τελείως.
- Αφαιρέστε τον αποσπώμενο πίνακα ελέγχου από το στήριγμα.
- Ξεβιδώστε το μαύρο προστατευτικό κάλυμμα του κουμπιού ΕΠΑΝΑΦΟΡΑ.
- Πατήστε το κουμπί ΕΠΑΝΑΦΟΡΑ στο διάταξης περιορισμού (θερμική διακοπή). Πρέπει να ακουστεί ένα κλικ.
- Βιδώστε ξανά το προστατευτικό κάλυμμα στο κουμπί ΕΠΑΝΑΦΟΡΑ.

- Επανατοποθετήστε τον αποσπώμενο πίνακα ελέγχου στο στήριγμα.



## Συμβουλές για Βαθύ τηγάνισμα

- Κατά προτίμηση χρησιμοποιήστε μόνο υγρό λάδι ή υγρό λίπος τηγανίσματος.
- Η συνιστώμενη θερμοκρασία για το τηγάνισμα πατατών και σνακ είναι 175 °C το μέγιστο.
- Αφαιρείτε τον πάγο και τα ψίχουλα από τα κατεψυγμένα τρόφιμα.
- Μην κάνετε βαθύ τηγάνισμα σε πολλά πράγματα ταυτόχρονα. Αυτό μπορεί να χαμηλώσει υπερβολικά τη θερμοκρασία του λαδιού ή του λίπους. Το λάδι/λίπος που έχει κρυώσει δεν καίει σωστά την επιφάνεια της τροφής, με αποτέλεσμα να απορροφάται περισσότερο λίπος. Όταν γίνεται εκτεταμέ-

νη χρήση, τα ψίχουλα και τα άλλα υπολείμματα θα πρέπει να αφαιρούνται και να φιλτράρονται από το λάδι/λίπος.

- Αντικαθιστάτε το λάδι ή λίπος εγκαίρως. Χρησιμοποιείτε δοκιμαστικές ταινίες τακτικά για να εντοπίσετε πότε πρέπει να αντικατασταθεί το λάδι/λίπος.
- Πριν το λάδι αρχίσει να αφρίζει, να βγάξει καπνό ή να γίνεται υπερβολικά πηκτό, θα πρέπει να αντικατασταθεί. Αντικαθιστάτε, επίσης, το λάδι/λίπος όταν αποκτήσει έντονη μυρωδιά ή γεύση.
- Μην αναμιγνύετε φρέσκο με χρησιμοποιημένο λάδι.

## Στερεά λίπη

- Αν παρά τις συμβουλές μας χρησιμοποιείτε στερεό λίπος: τότε θερμάνετε το λάδι αργά στην χαμηλότερη θέση μέχρι να λιώσει. Μόλις το λίπος λιώσει μπορείτε να ρυθμίσετε την κατάλληλη θερμοκρασία τηγανίσματος.
- Όταν χρησιμοποιείτε στερεό λίπος, αφήνετε τα μπλοκ λίπους να λιώσουν αργά σε μέτρια θερμότητα σε ένα κανονικό τηγάνι. Ρίχνετε προσεκτικά το

λιωμένο λίπος σε μία φριτέζα για βαθύ τηγάνισμα. Βάζετε το φινς στην πρίζα και ενεργοποιείτε τη φριτέζα για βαθύ τηγάνισμα.

- Αφαιρέστε το καλάθι για βαθύ τηγάνισμα μετά τη χρήση του λίπους. Κατά αυτόν τον τρόπο αποφεύγεται να κολλήσει το καλάθι στο στερεοποιημένο λίπος.



## Μετά τη χρήση

- Απενεργοποιήστε τη συσκευή, κλείνοντας το διακόπτη και βγάζοντας το φις από την πρίζα.
- Μην μετακινείτε τη φριτέζα για βαθύ τηγάνισμα μέχρι να κρυώσει τόσο η συσκευή όσο και το περιεχόμενό της.
- Τοποθετήστε το καπάκι πάνω στη φριτέζα, ούτως ώστε να μην υποστεί παλαιώση το λίπος.

## Αλλαγή λαδιού:

ΠΡΟΣΟΧΗ! Το υγροποιημένο έλαιο είναι καυτό και μπορεί να προκαλέσει σοβαρά εγκαύματα. Η κάνουλα μπορεί να ζεσταθεί πολύ κατά την εξαγωγή του

λαδιού. Αν το λάδι έρθει σε επαφή με το δέρμα σας, κρυώστε με κλιαρό νερό. Στη συνέχεια επικοινωνήστε με έναν γιατρό.

## Πριν από την αλλαγή λαδιού: ΚΡΥΩΣΤΕ ΤΟ ΛΑΔΙ ΜΕΧΡΙ ΤΟΥΣ 50°C.

- Τοποθετήστε ένα δοχείο κάτω από το στόμιο αποστράγγισης (περιμένετε μέχρι το λάδι να φτάσει τους  $\pm 50^\circ\text{C}$ )
- Πατήστε το διακόπτη της κάνουλας και περιστρέψτε προς τα αριστερά. Το λάδι θα αποστραγγιστεί από το δοχείο.
- Όταν το λάδι αδειάσει από το δοχείο περιστρέψτε το διακόπτη προς τα πίσω. Ελέγχετε αν ο διακόπτης είναι κλειδωμένος.

## Καθαρισμός και συντήρηση

- Πάντα να αφαιρείτε το φις από την πρίζα πριν από τον καθαρισμό της συσκευής.
- Προσοχή: Ποτέ μην βυθίζετε τη συσκευή στο νερό ή σε οποιοδήποτε άλλο υγρό!
- Καθαρίστε το εξωτερικό μέρος της συσκευής με ένα υγρό πανί (νερό με ήπιο απορρυπαντικό).
- Ποτέ μην χρησιμοποιείτε ισχυρά καθαριστικά, διαβρωτικά ή κλωριούχα προϊόντα. Μην χρησιμοποιείτε κοφτερά ή αιχμηρά αντικείμενα. Μην χρησιμοποιείτε βενζίνη ή διαλυτικά! Καθαρίστε με ένα υγρό πανί και απορρυπαντικό εάν χρειαστεί. Μην χρησιμοποιείτε διαβρωτικά υλικά.

## Τεχνικές προδιαγραφές

Αρ. είδους.	207208	209202	207307	209301
Τάση και συχνότητα λειτουργίας	220-240V- 50/60Hz			
Ονομαστική ισχύς εισόδου	3500 W		2x3500 W	
Κατηγορία προστασίας	Κατηγορία I			
Κλάση προστασίας νερού	IPX3			
Εύρος θερμοκρασίας	50 - 190°C			
Θερμοκρασία περιβάλλοντος	5 - 45°C			
Περιεχόμενο	8 L		16 L	
Διαστάσεις (W x D x H)	305x460x (H)350mm	305x515x (H)350mm	605x460x (H)350mm	605x515x (H)350mm
Καθαρό βάρος (περίπου)	8,1 kg	8,6 kg	20,5 kg	21,5 kg

**Σημείωση:** Οι τεχνικές προδιαγραφές μπορούν να τροποποιηθούν χωρίς προηγούμενη ειδοποίηση.

## Αντιμετώπιση προβλημάτων

Βλάβη	Σύμπτωμα	Πιθανή αιτία	Πιθανή λύση
Η συσκευή δεν λειτουργεί καθόλου	Ο πράσινος διακόπτης ανάβει και η πορτοκαλί λυχνία δεν ανάβει	Δεν υπάρχει τάση δικτύου ρεύματος	Ελέγξτε την ηλεκτρική εγκατάσταση.
		Ο διακόπτης είναι ανενεργός	Ενεργοποιείτε το διακόπτη Ελαττωματικός διακόπτης
		Ελέγξτε αν ο θερμοστάτης είναι ενεργοποιημένος	Ενεργοποιείτε το θερμοστάτη.
		Ελαττωματικός θερμοστάτης	Επικοινωνήστε με τον προμηθευτή σας
Η συσκευή παραμένει κρύα	Ο πράσινος διακόπτης ανάβει και η πορτοκαλί λυχνία δεν ανάβει	Ο αφαιρούμενος πίνακας ελέγχου δεν έχει τοποθετηθεί σωστά στο στήριγμα	Τοποθετήστε τον αφαιρούμενο πίνακα χειρισμού σωστά στο στήριγμα.
		Ενεργοποιημένος διάταξης περιορισμού (θερμική διακοπή).	Επικοινωνήστε με τον προμηθευτή σας
		Ελαττωματικός διάταξης περιορισμού (θερμική διακοπή).	Επικοινωνήστε με τον προμηθευτή σας
		Ελαττωματικός διακόπτης κυκλώματος υπερφόρτωσης	Επικοινωνήστε με τον προμηθευτή σας
Η συσκευή δεν φτάνει τη ρυθμισμένη θερμοκρασία. / Μεγάλος χρόνος τηγανίσματος /πολύ υψηλή θερμοκρασία	Ο πράσινος διακόπτης και η πορτοκαλί λυχνία ανάβουν	Ελαττωματικός θερμοστάτης	Επικοινωνήστε με τον προμηθευτή σας

**Εάν μετά από αυτούς τους ελέγχους, συνεχιστεί η δυσλειτουργία, συνιστάται η επικοινωνία με την τεχνική εξυπηρέτηση για τη λήψη βοήθειας. Σε περίπτωση οποιασδήποτε αμφιβολίας, πάντα να επικοινωνείτε με τον προμηθευτή σας!**

## Εγγύηση

Οποιοδήποτε ελάττωμα επηρεάζει τη λειτουργικότητα της συσκευής που γίνεται προφανές δύο χρόνια μετά την αγορά της, θα διορθώνεται με δωρεάν επισκευή ή αντικατάσταση, αρκεί η συσκευή να έχει χρησιμοποιηθεί και συντηρηθεί σύμφωνα με τις οδηγίες και να μην έχει γίνει κατάχρηση ή λανθασμένη χρήση της με οποιονδήποτε τρόπο. Δε θίγονται τα νόμιμα δικαιώματά σας. Εάν η συσκευή υποστηρίζεται

από εγγύηση, δηλώστε πού και πότε έχει αγοραστεί και συμπεριλάβετε την απόδειξη αγοράς (π.χ. απόδειξη λιανικής πώλησης).

Σύμφωνα με την πολιτική μας για τη συνεχή εξέλιξη των προϊόντων μας, διατηρούμε το δικαίωμα να αλλάξουμε το προϊόν, τη συσκευασία και τις προδιαγραφές τεκμηριωσής του χωρίς προειδοποίηση.

## Απόρριψη & Περιβάλλον

Η συσκευή, μετά το πέρας της διάρκειας ζωής της, δεν πρέπει να απορρίπτεται ως οικιακό απόρριμμα. Πρέπει να απορρίπτεται, με δική σας ευθύνη, σε καθορισμένο σημείο συλλογής. Η μη τήρηση αυτού ενδέχεται να τιμωρείται σύμφωνα με τους ισχύοντες κανονισμούς για τη διάθεση των απορριμμάτων. Η χωριστή συλλογή και ανακύκλωση αυτής της συσκευής κατά τη στιγμή της απόρριψης βοηθά στη διατήρηση των φυσικών πόρων και εξασφαλίζει την

ανακύκλωσή της με τρόπο που προστατεύει την ανθρώπινη υγεία και το περιβάλλον.

Για περισσότερες πληροφορίες σχετικά με το πού μπορείτε να απορρίψετε τη συσκευή για ανακύκλωση, επικοινωνήστε με την τοπική εταιρεία συλλογής απορριμμάτων. Οι κατασκευαστές και οι εισαγωγείς δεν αναλαμβάνουν την ευθύνη ανακύκλωσης, επεξεργασίας και οικολογικής διάθεσης, είτε άμεσα είτε μέσω δημόσιου συστήματος.

ΣΕΡΒΙΣ ΕΛΛΑΔΟΣ:

Τηλ.: 213 0 998989 (10 γραμμές)

info@pks-hendi.com





# HENDI

Tools for Chefs

## Hendi B.V.

Innovatielaan 6  
6745 XW De Klomp, The Netherlands  
**Tel:** +31 317 681 040  
**Email:** info@hendi.eu

## Hendi Polska Sp. z o.o.

ul. Firmowa 12  
62-023 Robakowo, Poland  
**Tel:** +48 61 658 7000  
**Email:** info@hendi.pl

## Hendi Food Service Equipment GmbH

Ehring 15  
5112 Lamprechtshausen, Austria  
**Tel:** +43 6274 200 10 0  
**Email:** office.austria@hendi.eu

## Hendi Food Service Equipment Romania S.R.L.

Str. 13 decembrie 94A, Hala 14  
Braşov, 500164, Romania  
**Tel:** +40 268 320330  
**Email:** office@hendi.ro

## PKS Hendi South East Europe SA

5 Metsovou Str.  
18346 Moschato, Athens, Greece  
**Tel:** +30 210 4839700  
**Email:** info@pks-hendi.com

## Hendi Italia S.R.L.

Via Leonardo da Vinci 4  
39100 Bolzano (BZ), Italy  
**Tel:** +39 800 727 438  
**Email:** office.italy@hendi.eu

## Hendi HK Ltd.

1208, 12/F Exchange Tower  
33 Wang Chiu Road, Kowloon Bay, Hong Kong  
**Tel:** +852 2154 2618  
**Email:** info-hk@hendi.eu

## Find Hendi on internet:

[www.hendi.eu](http://www.hendi.eu)  
[www.facebook.com/HendiToolsforChefs](https://www.facebook.com/HendiToolsforChefs)  
<https://www.linkedin.com/company/hendi-tools-for-chefs/>  
[www.youtube.com/HendiEquipment](http://www.youtube.com/HendiEquipment)

- Changes, printing and typesetting errors reserved.
- Änderungen, Druck- und Satzfehler vorbehalten.
- Wijzigingen, druk- en zetfouten voorbehouden.
- Zastrzega się możliwość zmian, błędów w druku i składzie.
- Sous réserve d'erreurs de modification, d'impression et de composition.

- Con riserva di modifiche, errori di stampa e composizione.
- Rezervate modificările, tipărirea și erorile de tipărire.
- Мы оставляем за собой право вносить изменения, ошибки печати и набора.
- Επιφυλάσσονται αλλαγές, εκτύπωση και στοιχειοθεσία.